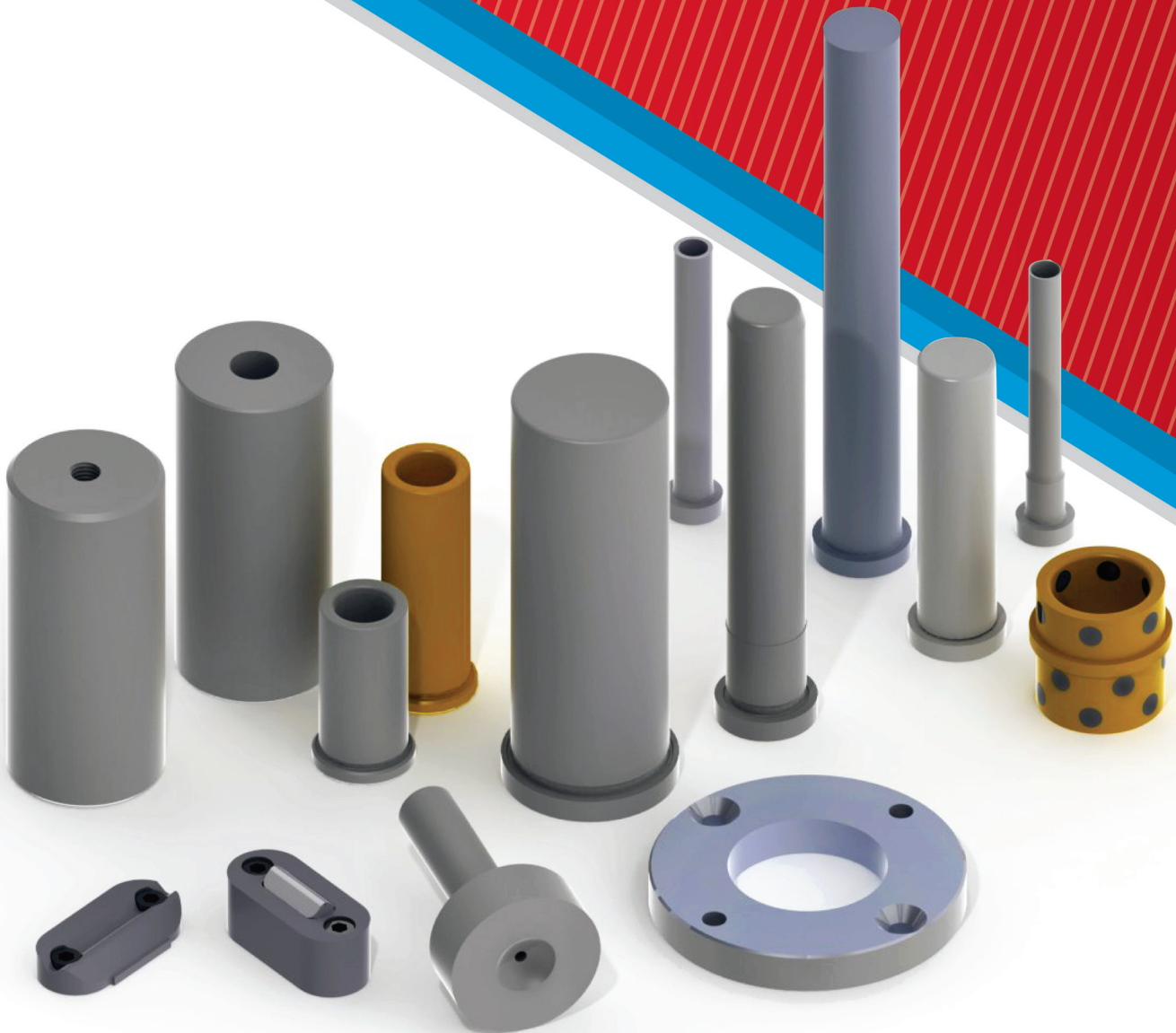


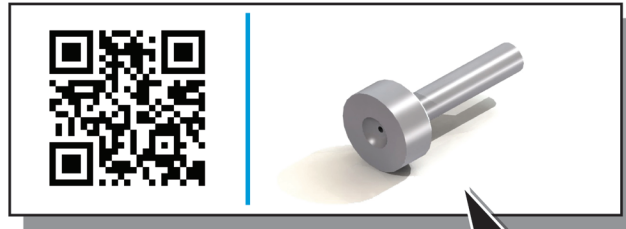


MOLD BASE COMPONENTS





Click here to return to the **Table of Contents**



Click here for **3D CAD Link**

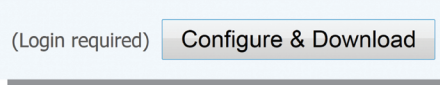


Quick link to **Main Website**

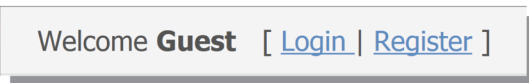
Note: When viewing the electronic version, simply click on the image in the right hand corner, and the link will automatically take you to 3D CAD Link.

To use 3D CAD Link:

Click on the **Configure & Download Button**



Login to your account

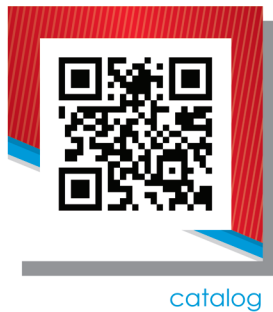


Finish your product configuration

**900 West Drexel Avenue
Oak Creek, WI 53154**

**(800) 558-6040
FAX (800) 657-0855**

**www.superiordieset.com
messages@superiordieset.com**



Quick link to **Master Catalog**



Quick link to **3D CAD Link**



Quick link to **Videos**



TABLE OF CONTENTS

MOLD BASE COMPONENTS

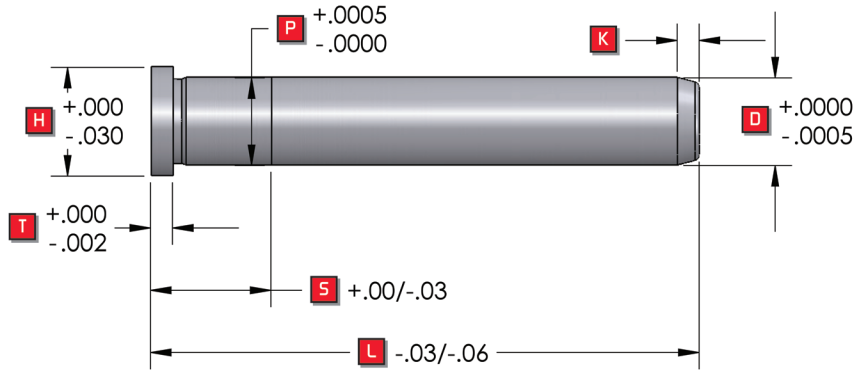
LEADER PINS	PAGES
LP — 3/4 to 1 1/4" Dia.	4010
LP — 1 1/2 to 3" Dia.	4020
SHOULDER BUSHINGS	
BU — STEEL	4030
BP — BRONZE-RITE™	4040
BG — SELF LUBRICATING	4050
BB — SOLID BRONZE	4060
GUIDED EJECTOR	
LP- — LEADER PINS	4070
BE — BUSHINGS	4080
SPRUE BUSHINGS	
AB TYPE	4090
AE, A, L & UV TYPES	4100
LN, UR & AR TYPES	4110
POZ-E-LOCK	
PEL	4120
LOCATING RINGS	
LR-99 to LR-105LN	4130
LR-106 to LR-144	4140
EJECTOR PINS	
EP — 4 to 10"	4150
EP — 14 to 40"	4160
EM — 100 to 200 mm	4170
EM — 250 to 1000 mm	4180
EJECTOR STEP PINS	
ES — INCH	4190
ESM — METRIC	4200

CORE PINS	PAGES
CPS — STANDARD HARDNESS	4210
CP — HIGH HARDNESS	4220
SLEEVES	
EJSL — STANDARD	4230
EJS — GLIDE™	4240
RETURN PINS & SPRUE PULLERS	
RP — RETURN PINS	4250
SP — SPRUE PULLERS	4250
CLOZ-IT™	
CZ	4260
RETURN-RITE™	
DIMENSIONAL DATA	4270
RPS	4280
SLIDE LOCK™	
OPERATIONAL DATA	4290
SLK-8A	4300
SLK-25A & SLK-50A	4310
AIR POPPETS	
APV	4320
SUPPORT PILLARS	
P#T	4330
P#C	4340
TUBE DOWELS, STOP PINS & DISCS	
TB — TUBE DOWELS	4350
SB — STOP PINS	4350
SD — STOP DISCS	4350
SOCKET HEAD CAP SCREWS	
S	4360



LEADER PINS

3/4" to 1 1/4" DIA.



Diameter	D	P	H	T	K
3/4"	.7490	.7510	.990	.187	0.18
7/8"	.8740	.8760	1.115	.250	0.18
1"	.9990	1.0010	1.240	.250	0.18
1 1/4"	1.2490	1.2510	1.490	.312	0.25

WHEN ORDERING PLEASE SPECIFY:

1. Part Number
2. Quantity

Hardened to 57 +/- 2 Rc

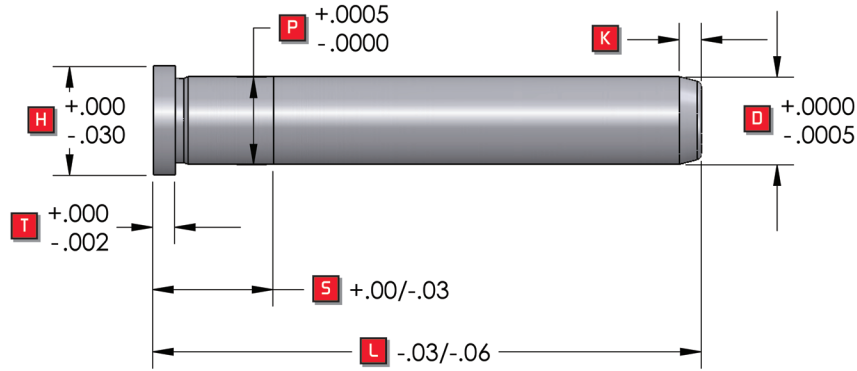
LEADER PINS

L	Dia = 3/4"		Dia = 7/8"		Dia = 1"		Dia = 1 1/4"	
	S	Part No.	S	Part No.	S	Part No.	S	Part No.
1.75	.87	LP75L1.75	.87	LP87L1.75	.87	LP100L1.75		
2.25	.87	LP75L2.25	.87	LP87L2.25	.87	LP100L2.25		
2.75	.87	LP75L2.75	.87	LP87L2.75	.87	LP100L2.75	.87	LP125L2.75
3.25	.87	LP75L3.25	.87	LP87L3.25	.87	LP100L3.25	.87	LP125L3.25
3.75	.87	LP75L3.75	.87	LP87L3.75	.87	LP100L3.75	.87	LP125L3.75
4.25	1.37	LP75L4.25	1.37	LP87L4.25	1.37	LP100L4.25	.87	LP125L4.25
4.75	1.37	LP75L4.75	1.37	LP87L4.75	1.37	LP100L4.75	1.37	LP125L4.75
5.25	1.37	LP75L5.25	1.37	LP87L5.25	1.37	LP100L5.25	1.37	LP125L5.25
5.75	1.87	LP75L5.75	1.37	LP87L5.75	1.37	LP100L5.75	1.37	LP125L5.75
6.25	1.87	LP75L6.25	1.37	LP87L6.25	1.37	LP100L6.25	1.37	LP125L6.25
6.75	1.87	LP75L6.75	1.87	LP87L6.75	1.87	LP100L6.75	1.87	LP125L6.75
7.25	1.87	LP75L7.25	1.87	LP87L7.25	1.87	LP100L7.25	1.87	LP125L7.25
7.75	1.87	LP75L7.75	1.87	LP87L7.75	1.87	LP100L7.75	1.87	LP125L7.75
8.25			1.87	LP87L8.25	1.87	LP100L8.25	1.87	LP125L8.25
8.75			1.87	LP87L8.75	1.87	LP100L8.75	1.87	LP125L8.75
9.25	1.87	LP75L9.25			1.87	LP100L9.25	1.87	LP125L9.25
9.75					1.87	LP100L9.75	1.87	LP125L9.75
10.25					1.87	LP100L10.25	1.87	LP125L10.25
10.75			1.87	LP87L10.75	1.87	LP100L10.75	1.87	LP125L10.75
11.25					1.87	LP100L11.25	1.87	LP125L11.25
11.75					1.87	LP100L11.75	1.87	LP125L11.75
12.25			1.87	LP87L12.25	1.87	LP100L12.25	1.87	LP125L12.25
12.75							1.87	LP125L12.75
13.75							1.87	LP125L13.75
14.75							1.87	LP125L14.75
15.75							1.87	LP125L15.75



LEADER PINS

1 1/2" to 3" DIA.



Diameter	D	P	H	T	K
1 1/2"	1.4990	1.501	1.740	.312	0.25
2"	1.9990	2.001	2.240	.312	0.25
2 1/2"	2.4990	2.501	2.740	.312	0.25
3"	2.9990	3.001	3.365	.500	0.25

WHEN ORDERING PLEASE SPECIFY:

1. Part Number
2. Quantity

Hardened to 57 +/- 2 Rc

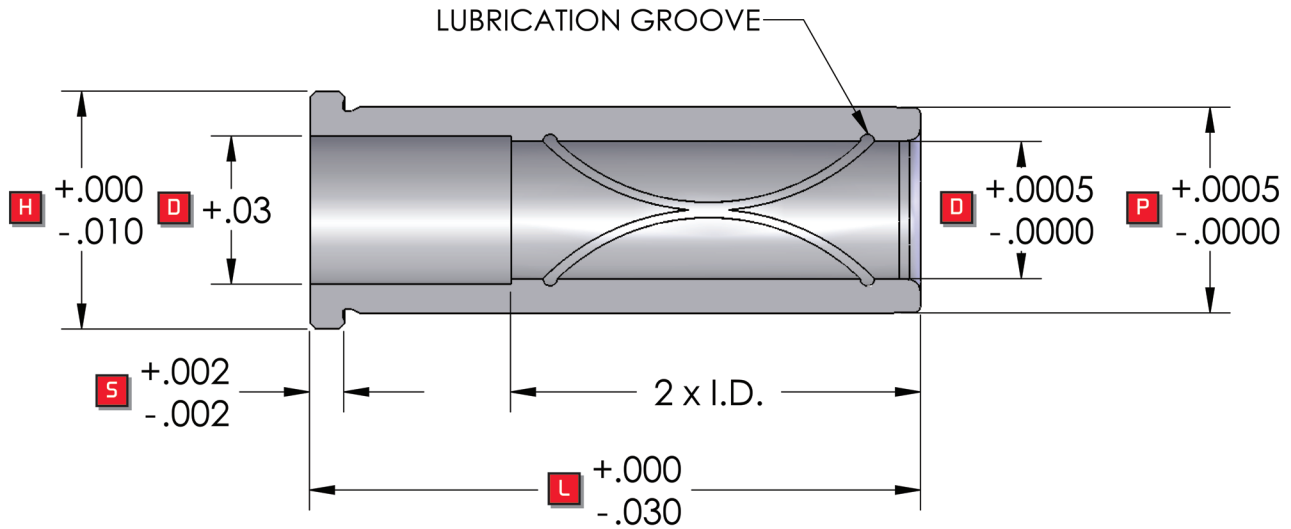
LEADER PINS

L	Dia = 1 1/2"		Dia = 2"		Dia = 2 1/2"		Dia = 3"	
	S	Part No.	S	Part No.	S	Part No.	S	Part No.
3.75	1.37	LP150L3.75						
4.25	1.37	LP150L4.25						
4.75	1.37	LP150L4.75						
5.25	1.37	LP150L5.25						
5.75	1.37	LP150L5.75	1.87	LP200L5.75	2.37	LP250L5.75		
6.25	1.37	LP150L6.25						
6.75	1.37	LP150L6.75	1.87	LP200L6.75	2.37	LP250L6.75		
7.75	1.87	LP150L7.75	1.87	LP200L7.75	2.37	LP250L7.75		
8.75	1.87	LP150L8.75	1.87	LP200L8.75	2.37	LP250L8.75	2.87	LP300L8.75
9.75	1.87	LP150L9.75	1.87	LP200L9.75	2.37	LP250L9.75		
10.75	1.87	LP150L10.75	1.87	LP200L10.75	2.37	LP250L10.75	2.87	LP300L10.75
11.75	1.87	LP150L11.75	1.87	LP200L11.75	2.37	LP250L11.75		
12.75	1.87	LP150L12.75	1.87	LP200L12.75	2.37	LP250L12.75	2.87	LP300L12.75
13.75	1.87	LP150L13.75	1.87	LP200L13.75	2.37	LP250L13.75		
14.75	1.87	LP150L14.75	1.87	LP200L14.75	2.37	LP250L14.75	2.87	LP300L14.75
15.75	1.87	LP150L15.75	1.87	LP200L15.75	2.37	LP250L15.75		
16.75			2.37	LP200L16.75	2.37	LP250L16.75	2.87	LP300L16.75
18.75			2.37	LP200L18.75	2.37	LP250L18.75	2.87	LP300L18.75



SHOULDER BUSHINGS

STEEL



Diameter	D	P	H	S
3/4"	.7505	1.1255	1.302	.188
7/8"	.8755	1.2505	1.427	.188
1"	1.0005	1.3755	1.552	.188
1 1/4"	1.2505	1.6255	1.802	.188
1 1/2"	1.5005	2.0005	2.177	.188
2"	2.0005	2.5005	2.677	.188
2 1/2"	2.5005	3.2505	3.427	.188
3"	3.0005	3.7505	3.990	.500

WHEN ORDERING PLEASE SPECIFY:

1. Part Number
2. Quantity

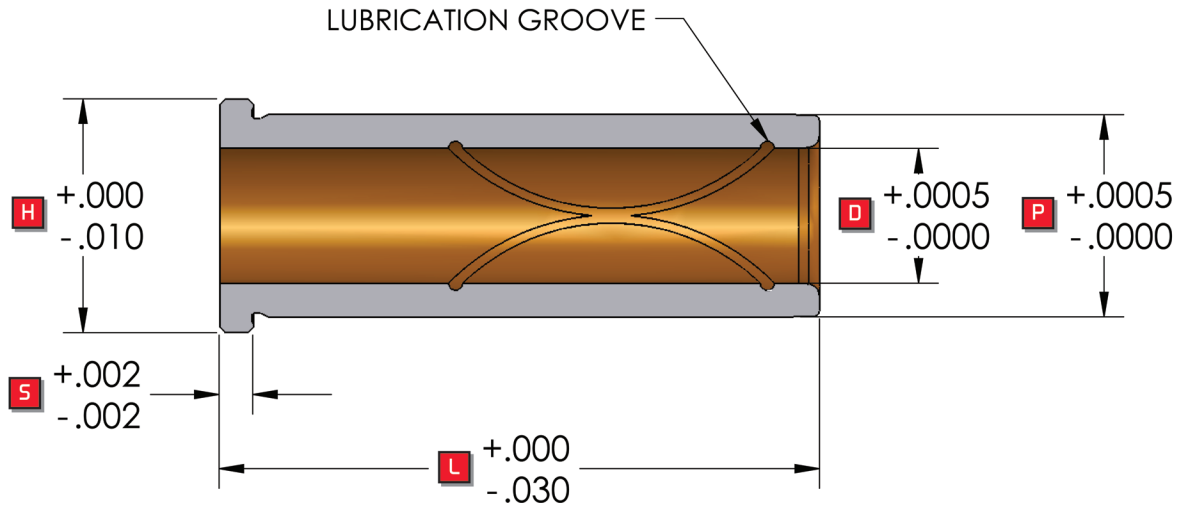
SHOULDER BUSHINGS - STEEL

L	Dia = 3/4"	Dia = 7/8"	Dia = 1"	Dia = 1 1/4"	Dia = 1 1/2"	Dia = 2"	Dia = 2 1/2"	Dia = 3"
	Part No.	Part No.	Part No.	Part No.	Part No.	Part No.	Part No.	Part No.
.845	BU-7507	BU-8707	BU-1007	BU-1207	BU-1507			
1.345	BU-7513	BU-8713	BU-1013	BU-1213	BU-1513	BU-2013	BU-2513	
1.845	BU-7517	BU-8717	BU-1017	BU-1217	BU-1517	BU-2017	BU-2517	BU-3017
2.345	BU-7523	BU-8723	BU-1023	BU-1223	BU-1523	BU-2023	BU-2523	BU-3023
2.845	BU-7527	BU-8727	BU-1027	BU-1227	BU-1527	BU-2027	BU-2527	BU-3027
3.345	BU-7533	BU-8733	BU-1033	BU-1233	BU-1533	BU-2033	BU-2533	BU-3033
3.845	BU-7537	BU-8737	BU-1037	BU-1237	BU-1537	BU-2037	BU-2537	BU-3037
4.345	BU-7543	BU-8743	BU-1043	BU-1243	BU-1543	BU-2043	BU-2543	BU-3043
4.845	BU-7547	BU-8747	BU-1047	BU-1247	BU-1547	BU-2047	BU-2547	BU-3047
5.845	BU-7557	BU-8757	BU-1057	BU-1257	BU-1557	BU-2057	BU-2557	BU-3057



SHOULDER BUSHINGS

BRONZE-RITE™



Diameter	D	P	H	S
3/4"	.7505	1.1255	1.302	.188
7/8"	.8755	1.2505	1.427	.188
1"	1.0005	1.3755	1.552	.188
1 1/4"	1.2505	1.6255	1.802	.188
1 1/2"	1.5005	2.0005	2.177	.188
2"	2.0005	2.5005	2.677	.188
2 1/2"	2.5005	3.2505	3.427	.188
3"	3.0005	3.7505	3.990	.500

WHEN ORDERING PLEASE SPECIFY:

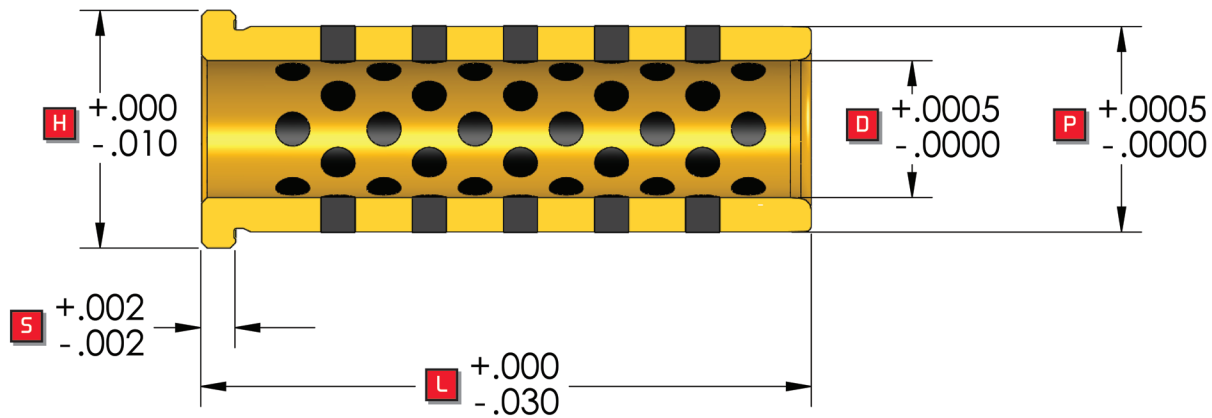
1. Part Number
2. Quantity

SHOULDER BUSHINGS - BRONZE-RITE™

L	Dia = 3/4"	Dia = 7/8"	Dia = 1"	Dia = 1 1/4"	Dia = 1 1/2"	Dia = 2"	Dia = 2 1/2"	Dia = 3"
	Part No.	Part No.	Part No.	Part No.	Part No.	Part No.	Part No.	Part No.
.845	BP-7507	BP-8707	BP-1007	BP-1207	BP-1507			
1.345	BP-7513	BP-8713	BP-1013	BP-1213	BP-1513	BP-2013	BP-2513	
1.845	BP-7517	BP-8717	BP-1017	BP-1217	BP-1517	BP-2017	BP-2517	
2.345	BP-7523	BP-8723	BP-1023	BP-1223	BP-1523	BP-2023	BP-2523	
2.845	BP-7527	BP-8727	BP-1027	BP-1227	BP-1527	BP-2027	BP-2527	
3.345	BP-7533	BP-8733	BP-1033	BP-1233	BP-1533	BP-2033	BP-2533	
3.845	BP-7537	BP-8737	BP-1037	BP-1237	BP-1537	BP-2037	BP-2537	BP-3037
4.345	BP-7543	BP-8743	BP-1043	BP-1243	BP-1543	BP-2043		
4.845	BP-7547	BP-8747	BP-1047	BP-1247	BP-1547	BP-2047	BP-2547	BP-3047
5.845	BP-7557	BP-8757	BP-1057	BP-1257	BP-1557	BP-2057	BP-2557	BP-3057



SHOULDER BUSHINGS SELF LUBRICATING



Diameter	D	P	H	S
3/4"	.7505	1.1255	1.302	.188
7/8"	.8755	1.2505	1.427	.188
1"	1.0005	1.3755	1.552	.188
1 1/4"	1.2505	1.6255	1.802	.188
1 1/2"	1.5005	2.0005	2.177	.188
2"	2.0005	2.5005	2.677	.188
2 1/2"	2.5005	3.2505	3.427	.188
3"	3.0005	3.7505	3.990	.500

WHEN ORDERING PLEASE SPECIFY:

1. Part Number
2. Quantity

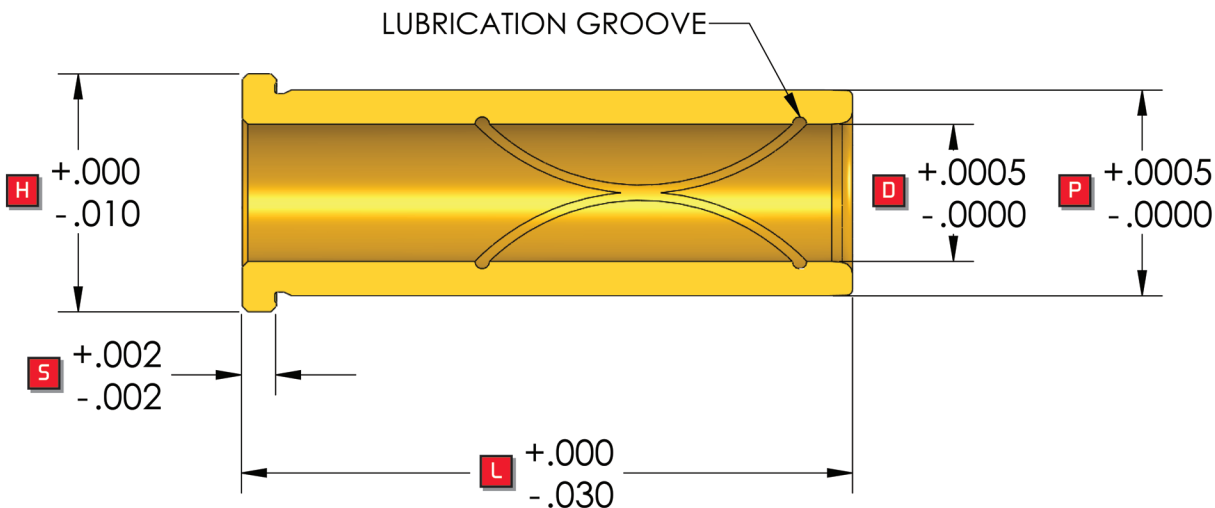
SHOULDER BUSHINGS - SELF LUBRICATING

L	Dia = 3/4"	Dia = 7/8"	Dia = 1"	Dia = 1 1/4"	Dia = 1 1/2"	Dia = 2"	Dia = 2 1/2"	Dia = 3"
	Part No.	Part No.	Part No.	Part No.	Part No.	Part No.	Part No.	Part No.
.845	BG-7507	BG-8707	BG-1007	BG-1207	BG-1507			
1.345	BG-7513	BG-8713	BG-1013	BG-1213	BG-1513	BG-2013	BG-2513	
1.845	BG-7517	BG-8717	BG-1017	BG-1217	BG-1517	BG-2017	BG-2517	
2.345	BG-7523	BG-8723	BG-1023	BG-1223	BG-1523	BG-2023	BG-2523	
2.845	BG-7527	BG-8727	BG-1027	BG-1227	BG-1527	BG-2027	BG-2527	
3.345	BG-7533	BG-8733	BG-1033	BG-1233	BG-1533	BG-2033	BG-2533	BG-3033
3.845	BG-7537	BG-8737	BG-1037	BG-1237	BG-1537	BG-2037	BG-2537	BG-3037
4.345	BG-7543		BG-1043	BG-1243	BG-1543	BG-2043	BG-2543	
4.845			BG-1047	BG-1247	BG-1547	BG-2047	BG-2547	BG-3047
5.845			BG-1057	BG-1257	BG-1557	BG-2057	BG-2557	BG-3057



SHOULDER BUSHINGS

SOLID BRONZE



Diameter	D	P	H	S
3/4"	.7505	1.1255	1.302	.188
7/8"	.8755	1.2505	1.427	.188
1"	1.0005	1.3755	1.552	.188
1 1/4"	1.2505	1.6255	1.802	.188
1 1/2"	1.5005	2.0005	2.177	.188
2"	2.0005	2.5005	2.677	.188
2 1/2"	2.5005	3.2505	3.427	.188
3"	3.0005	3.7505	3.990	.500

WHEN ORDERING PLEASE SPECIFY:

1. Part Number
2. Quantity

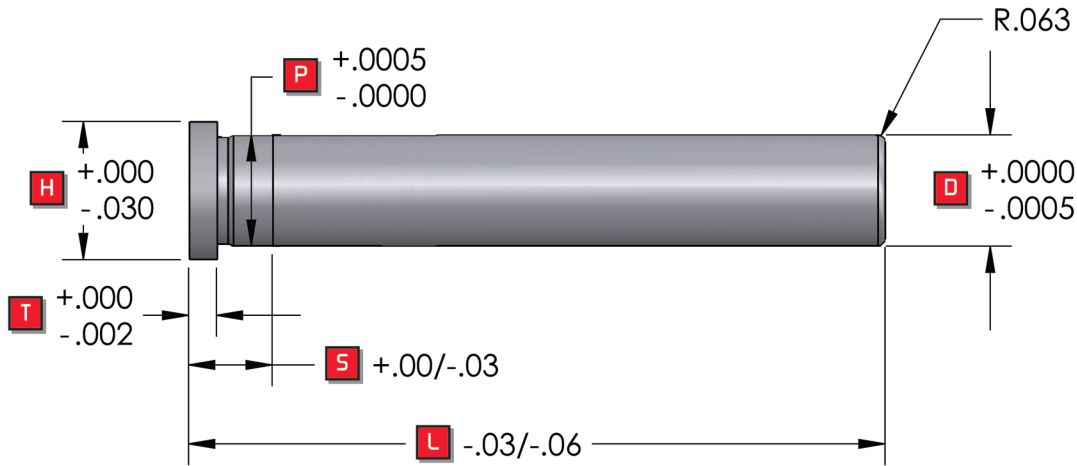
SHOULDER BUSHINGS - SOLID BRONZE

L	Dia = 3/4"	Dia = 7/8"	Dia = 1"	Dia = 1 1/4"	Dia = 1 1/2"	Dia = 2"	Dia = 2 1/2"	Dia = 3"
	Part No.	Part No.	Part No.	Part No.	Part No.	Part No.	Part No.	Part No.
.845	BB-7507	BB-8707	BB-1007	BB-1207	BB-1507			
1.345	BB-7513	BB-8713	BB-1013	BB-1213	BB-1513	BB-2013	BB-2513	
1.845	BB-7517	BB-8717	BB-1017	BB-1217	BB-1517	BB-2017	BB-2517	
2.345	BB-7523	BB-8723	BB-1023	BB-1223	BB-1523	BB-2023	BB-2523	
2.845	BB-7527	BB-8727	BB-1027	BB-1227	BB-1527	BB-2027	BB-2527	
3.345	BB-7533	BB-8733	BB-1033	BB-1233	BB-1533	BB-2033	BB-2533	BB-3033
3.845	BB-7537	BB-8737	BB-1037	BB-1237	BB-1537	BB-2037	BB-2537	BB-3037
4.345	BB-7543		BB-1043	BB-1243	BB-1543	BB-2043	BB-2543	
4.845			BB-1047	BB-1247	BB-1547	BB-2047	BB-2547	BB-3047
5.845			BB-1057	BB-1257	BB-1557	BB-2057	BB-2557	BB-3057



LEADER PINS

GUIDED EJECTOR



WHEN ORDERING PLEASE SPECIFY:

1. Part Number
2. Quantity

Hardened to 57 +/- 2 Rc

Diameter	D	P	H	T	S
3/4"	.7490	0.7510	0.990	.187	.87
7/8"	.8740	0.8760	1.115	.250	.87
1"	.9990	1.0010	1.240	.250	.87
1 1/4"	1.2490	1.2510	1.490	.312	.87
1 1/2"	1.4990	1.5010	1.740	.312	.87
2"	1.9990	2.0010	2.240	.312	.87

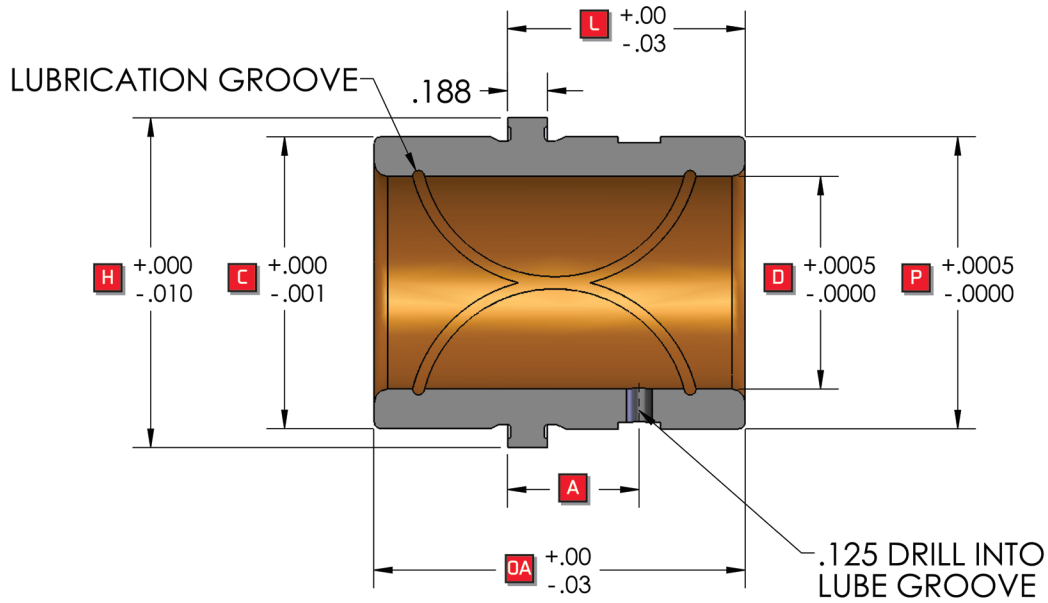
LEADER PINS - GUIDED EJECTOR

L	Dia = 3/4"	Dia = 7/8"	Dia = 1"	Dia = 1 1/4"	Dia = 1 1/2"	Dia = 2"
	Part No.	Part No.	Part No.	Part No.	Part No.	Part No.
3.25	LP-7531	LP-8731	LP-1031	LP-1231	LP-1531	LP-2031
3.75	LP-7533	LP-8733	LP-1033	LP-1233	LP-1533	LP-2033
4.25	LP-7541	LP-8741	LP-1041	LP-1241	LP-1541	LP-2041
4.75	LP-7543	LP-8743	LP-1043	LP-1243	LP-1543	LP-2043
5.25	LP-7551	LP-8751	LP-1051	LP-1251	LP-1551	LP-2051
5.75	LP-7553	LP-8753	LP-1053	LP-1253	LP-1553	LP-2053
6.25	LP-7561	LP-8761	LP-1061	LP-1261	LP-1561	LP-2061
6.75	LP-7563	LP-8763	LP-1063	LP-1263	LP-1563	LP-2063
7.25	LP-7571	LP-8771	LP-1071	LP-1271	LP-1571	LP-2071
7.75	LP-7573	LP-8773	LP-1073	LP-1273	LP-1573	LP-2073
8.25	LP-7581	LP-8781	LP-1081	LP-1281	LP-1581	LP-2081



BUSHINGS

GUIDED EJECTOR



WHEN ORDERING PLEASE SPECIFY:

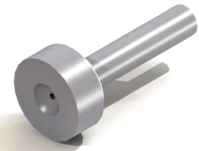
1. Part Number
2. Quantity

*** Hardened to 60 +/- 2 Rc with Bronze-Rite™ ID**

Diameter	D	P	C	H	OA	L	A
3/4"	.7510	1.1255	1.124	1.302	1.50	1.00	.56
7/8"	.8760	1.2505	1.249	1.427	1.50	1.00	.56
1"	1.0010	1.3755	1.374	1.552	1.75	1.12	.62
1 1/4"	1.2510	1.6255	1.624	1.802	1.75	1.12	.62
1 1/2"	1.5010	2.0005	1.999	2.177	1.75	1.12	.62
2"	2.0010	2.5005	2.499	2.677	2.25	1.62	.80

GUIDED EJECTOR BUSHINGS

Diameter	Bronze Rite™ Part No. *	Solid Bronze Part No.	Self Lubricating Part No.
3/4"	BE-075P	BE-075B	BE-075G
7/8"	BE-087P	BE-087B	BE-087G
1"	BE-100P	BE-100B	BE-100G
1 1/4"	BE-125P	BE-125B	BE-125G
1 1/2"	BE-150P	BE-150B	BE-150G
2"	BE-200P	BE-200B	BE-200G



SPRUE BUSHINGS

CATALOG NUMBER EXAMPLE

AB-75029A I

R 0 1 2
None, 1/2", 3/4"

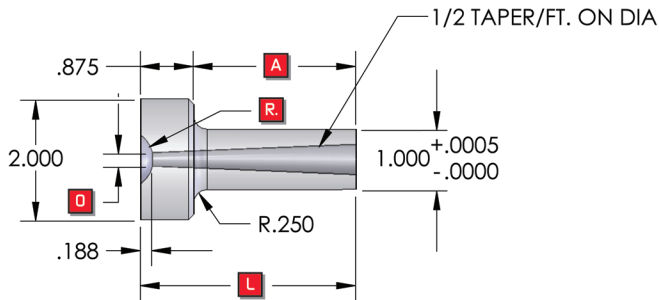
O A B C D
5/32", 7/32", 9/32", 11/32"

WHEN ORDERING PLEASE SPECIFY:

1. Part Number
2. Quantity

Hardened to 47 +/- 2 Rc

AB TYPE - 1" SHANK 7/8" HEAD

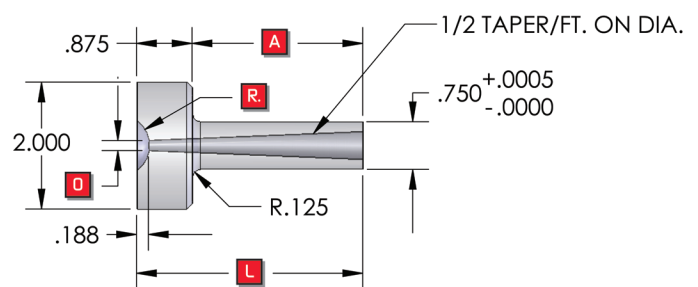


A	L	Part No.
29/32	1 25/32	AB-10029_ _
1 13/32	2 9/32	AB-10113_ _
1 29/32	2 25/32	AB-10129_ _
2 13/32	3 9/32	AB-10213_ _
2 29/32	3 25/32	AB-10229_ _
3 13/32	4 9/32	AB-10313_ _
3 29/32	4 25/32	AB-10329_ _
4 29/32	5 25/32	AB-10429_ _
5 29/32	6 25/32	AB-10529_ _
6 29/32	7 25/32	AB-10629_ _

AVAILABLE WITH:

O 5/32", 7/32", 9/32", 11/32" **R** 1/2", 3/4"

AB TYPE - 3/4" SHANK 7/8" HEAD



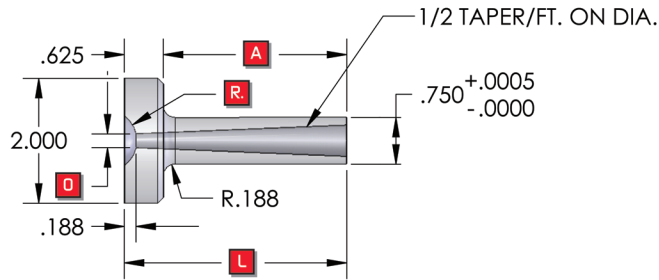
A	L	Part No.
29/32	1 25/32	AB-75029_ _
1 13/32	2 9/32	AB-75113_ _
1 29/32	2 25/32	AB-75129_ _
2 13/32	3 9/32	AB-75213_ _
2 29/32	3 25/32	AB-75229_ _
3 13/32	4 9/32	AB-75313_ _

AVAILABLE WITH:

O 5/32", 7/32", 9/32" **R** 1/2", 3/4"



AE TYPE - 3/4" SHANK 5/8" HEAD

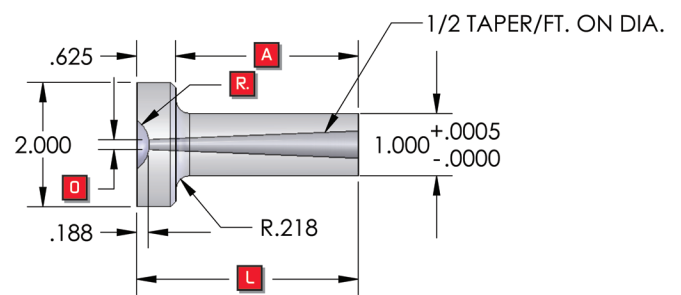


A	L	Part No.
1 5/8	2 1/4	AE-75120_
2 1/8	2 3/4	AE-75204_
2 5/8	3 1/4	AE-75220_
3 1/8	3 3/4	AE-75304_
3 5/8	4 1/4	AE-75320_
4 1/8	4 3/4	AE-75404_

AVAILABLE WITH:

O 5/32", 7/32", 9/32" **R** 1/2", 3/4"

A TYPE - 1" SHANK 5/8" HEAD

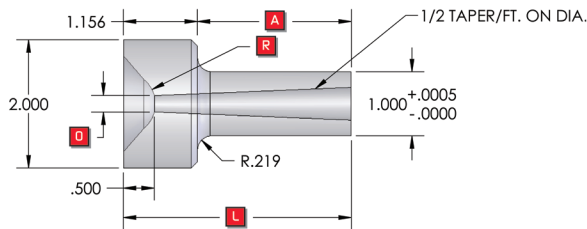


A	L	Part No.
1 3/16	1 13/16	A-10106_
1 11/16	2 5/16	A-10122_
2 3/16	2 13/16	A-10206_
2 11/16	3 5/16	A-10222_
3 3/16	3 13/16	A-10306_
3 11/16	4 5/16	A-10322_
4 3/16	4 13/16	A-10406_

AVAILABLE WITH:

O 5/32", 7/32", 9/32", 11/32" **R** 1/2", 3/4"

L TYPE - 1" SHANK 1-5/32" HEAD

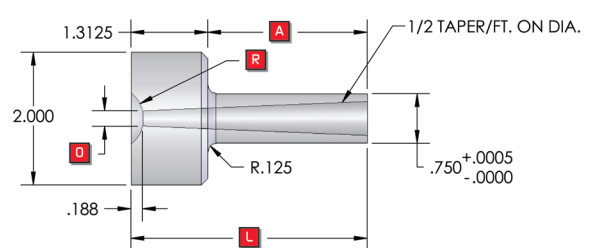


A	L	Part No.
29/32	2 1/16	L-10029_1
1 13/32	2 9/16	L-10113_1
1 29/32	3 1/16	L-10129_1
2 29/32	4 1/16	L-10229_1
3 29/32	5 1/16	L-10329_1
6 29/32	8 1/16	L-10629_1

AVAILABLE WITH:

O 5/32", 7/32", 9/32" **R** 1/2"

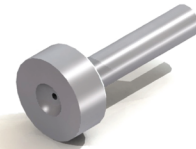
UV TYPE - 3/4" SHANK 1-5/16" HEAD



A	L	Part No.
29/32	2 7/32	UV-75029_1
1 13/32	2 23/32	UV-75113_1
1 29/32	3 7/32	UV-75129_1
2 13/32	3 23/32	UV-75213_1
2 29/32	4 7/32	UV-75229_1

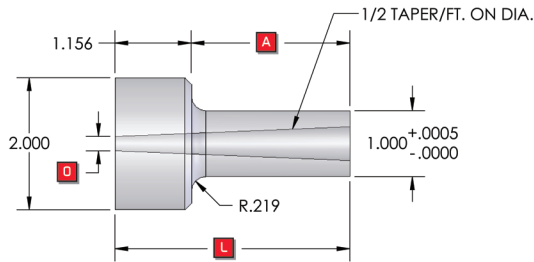
AVAILABLE WITH:

O 5/32", 7/32", 9/32" **R** 1/2"



SPRUE BUSHINGS

LN TYPE - 1" SHANK 1-5/32" HEAD

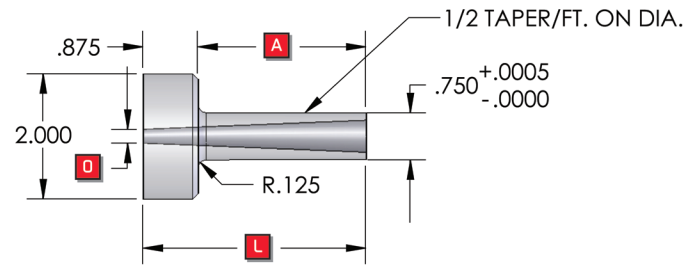


A	L	Part No.
29/32	2 1/16	LN-10029_0
1 13/32	2 9/16	LN-10113_0
1 29/32	3 1/16	LN-10129_0
2 13/32	3 9/16	LN-10213_0
2 29/32	4 1/16	LN-10229_0
3 13/32	4 9/16	LN-10313_0

AVAILABLE WITH:

5/32", 7/32", 9/32" None

UR TYPE - 3/4" SHANK 7/8" HEAD

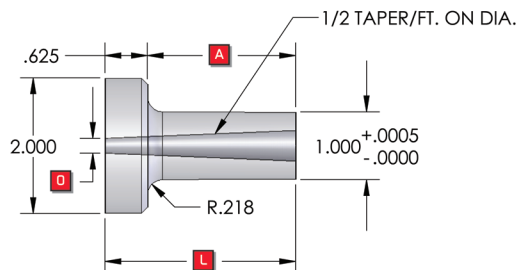


A	L	Part No.
29/32	1 25/32	UR-75029_0
1 13/32	2 9/32	UR-75113_0
1 29/32	2 25/32	UR-75129_0
2 13/32	3 9/32	UR-75213_0
2 29/32	3 25/32	UR-75229_0

AVAILABLE WITH:

5/32", 7/32", 9/32" None

AR SERIES - 1" SHANK 5/8" HEAD



A	L	Part No.
1 3/16	1 13/16	AR-10106_0
1 11/16	2 5/16	AR-10122_0
2 3/16	2 13/16	AR-10206_0

AVAILABLE WITH:

5/32", 7/32" None

WHEN ORDERING PLEASE SPECIFY:

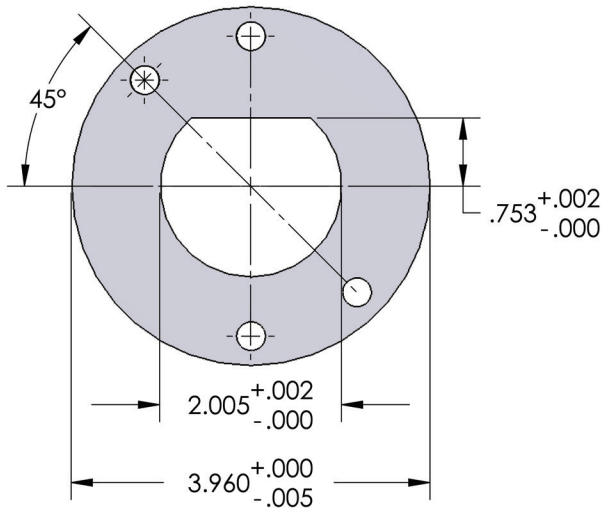
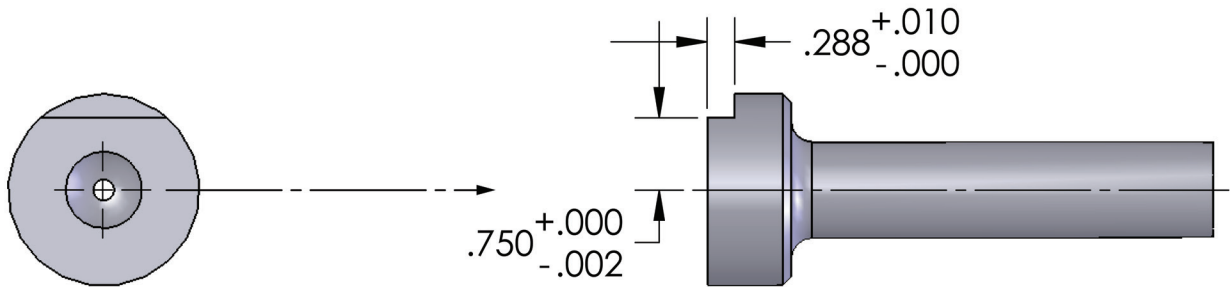
1. Part Number
2. Quantity

Hardened to 44 +/- 2 Rc



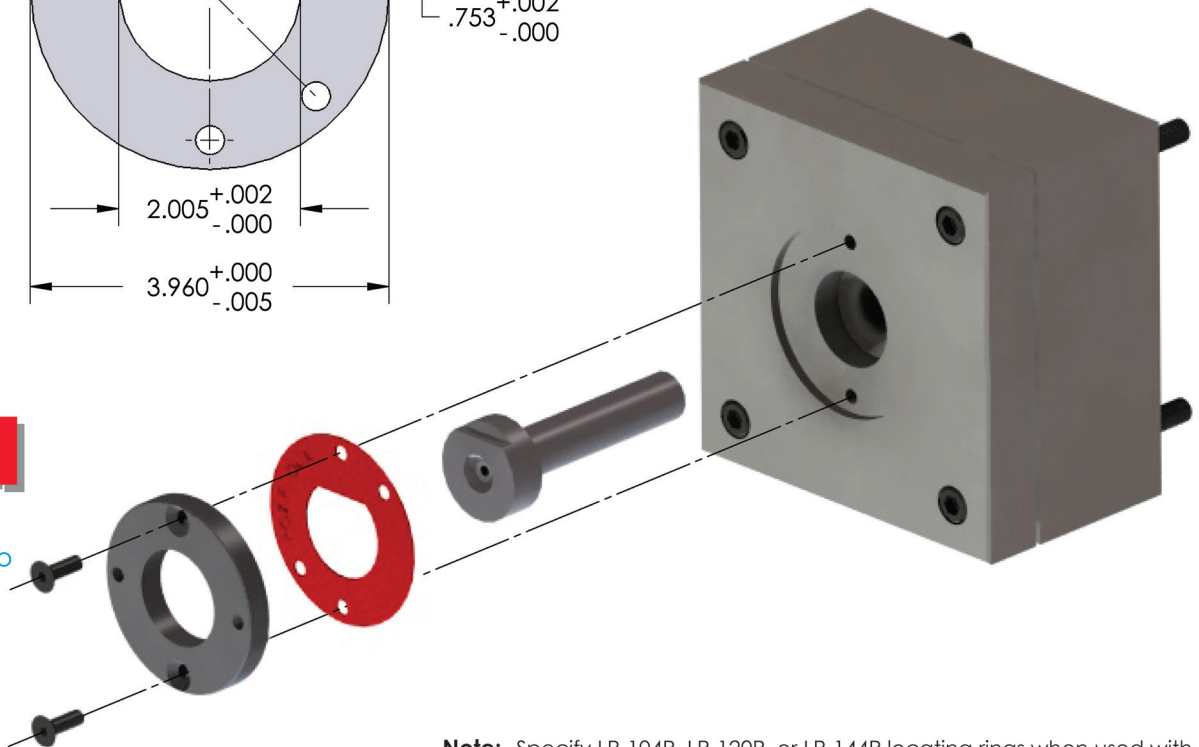
POZ-E-LOCK

The Superior Poz-E-Lock gives you positive locking of your sprue bushing and prevents rotation during the molding cycle. No machining is required to the mold base, just a simple slot in the sprue bushing and you are ready for assembly. Two sets of positioning holes are included in the Poz-E-Lock so that simple indexing of the sprue every 45 degrees can be achieved.



WHEN ORDERING PLEASE SPECIFY:

1. Part No. PEL01
2. Quantity

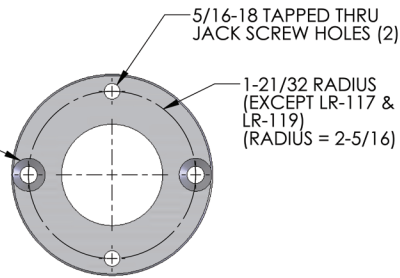


Note: Specify LR-104P, LR-120P, or LR-144P locating rings when used with Poz-E-Lock. Also, cannot be used with LR-117 or LR-119.



LOCATING RINGS

DRILLED & C'SUNK FOR 5/16 DIA. FLAT HEAD SCREWS 2 HOLES, EXCEPT LR-118, LR-120, LR-141 & LR-144 C'BORED FOR S.H.C.S. 5/16 DIA.



LOCATING RINGS		
Part No.	D	DESCRIPTION
LR-99	2.615	
LR-100	3.990	Standard
LR-100 (LN)	3.990	LN Type
LR-102	4.990	
LR-103	2.000	
LR-104 *	3.990	Clamp Type
LR-105 (LN)	5.990	LN Type
LR-106	2.490	
LR-107	7.995	
LR-108	2.990	
LR-117 +	3.990	Extended Nozzle
LR-118 *	3.990	Extra Lead - Standard
LR-119 +	3.990	Extra Lead - Extended Nozzle
LR-120	3.990	Extra Lead - Clamp Type
LR-131	3.541	
LR-132	4.331	Top Ring
LR-133	4.331	Bottom Ring
LR-141	3.990	Insulator- Standard
LR-144 *	3.990	Insulator- Clamp Type

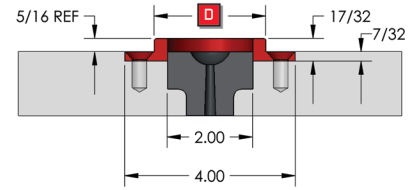
WHEN ORDERING PLEASE SPECIFY:

1. Part Number
2. Quantity

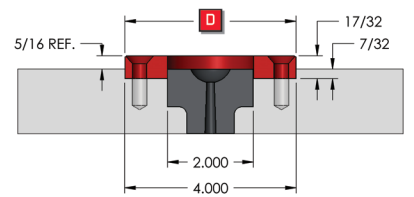
NOTE:

- * When ordering with Poz-E-Lock specify: LR-104P, LR-118P or LR-144P
- + Cannot be used with Poz-E-Lock
- ◆ Specify depth when ordering

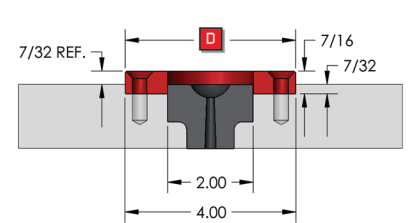
CATALOG No. LR-99
D = 2.615



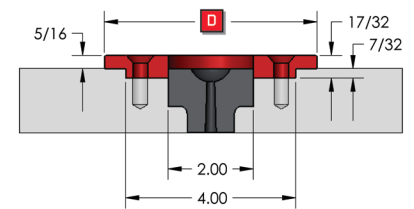
CATALOG No. LR-100
D = 3.990
(STANDARD SERIES)



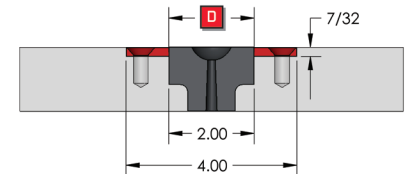
CATALOG No. LR-100LN
D = 3.990
(LN TYPE)



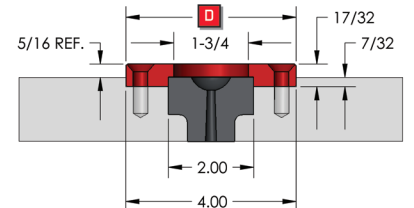
CATALOG No. LR-102
D = 4.990



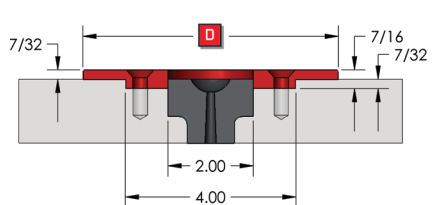
CATALOG No. LR-103
D = 2.000



CATALOG No. LR-104 *
D = 3.990
(CLAMP TYPE)

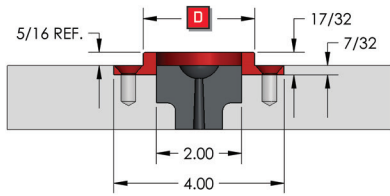


CATALOG No. LR-105LN
D = 5.990
(LN TYPE)

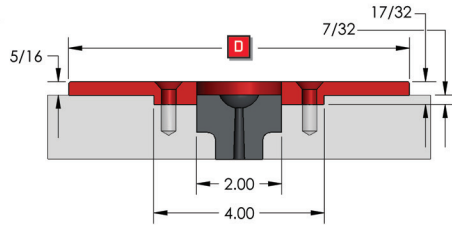




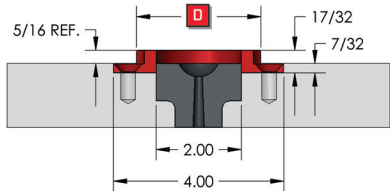
CATALOG No. LR-106
D = 2.490



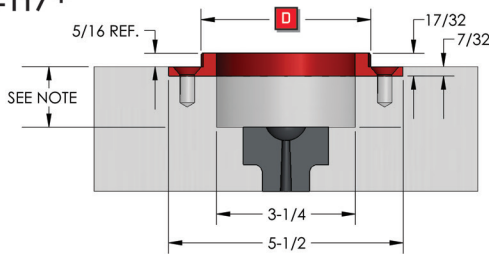
CATALOG No. LR-107
D = 7.995



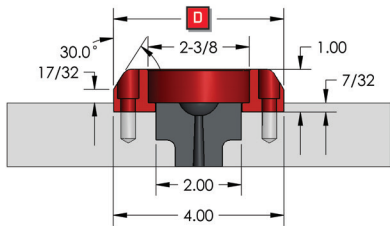
CATALOG No. LR-108
D = 2.990



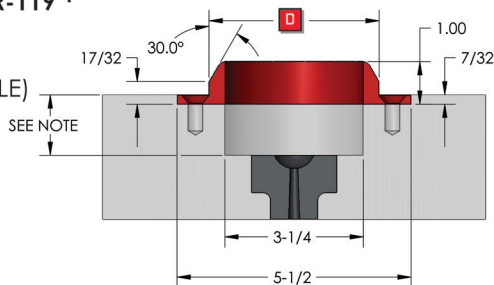
CATALOG No. LR-117 +
D = 3.990
(EXTENDED
- NOZZLE)



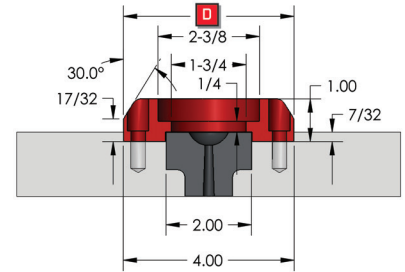
CATALOG No. LR-118 *
D = 3.990
(EXTRA LEAD -
STANDARD)



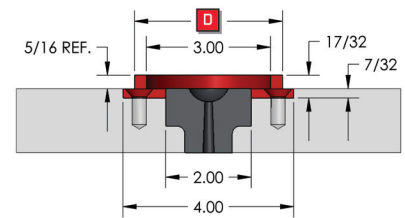
CATALOG No. LR-119 +
D = 3.990
(EXTRA LEAD -
EXTENDED NOZZLE)



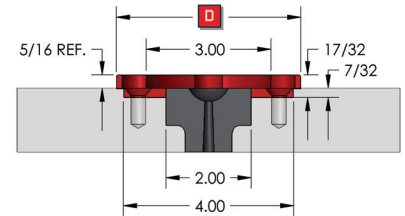
CATALOG No. LR-120
D = 3.990
(EXTRA LEAD IN
CLAMP TYPE)



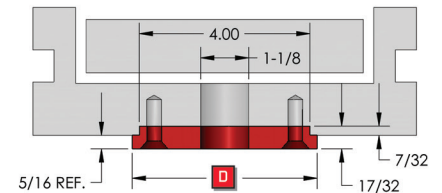
CATALOG No. LR-131
D = 3.541



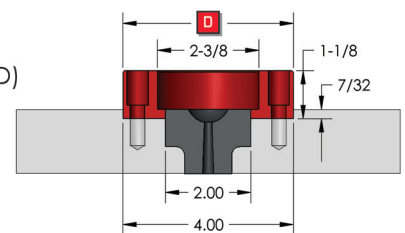
CATALOG No. LR-132
D = 4.331
(TOP RING)



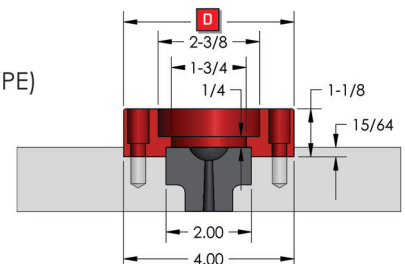
CATALOG No. LR-133
D = 4.331
(BOTTOM RING)



CATALOG No. LR-141
D = 3.990
(INSULATOR - STANDARD)



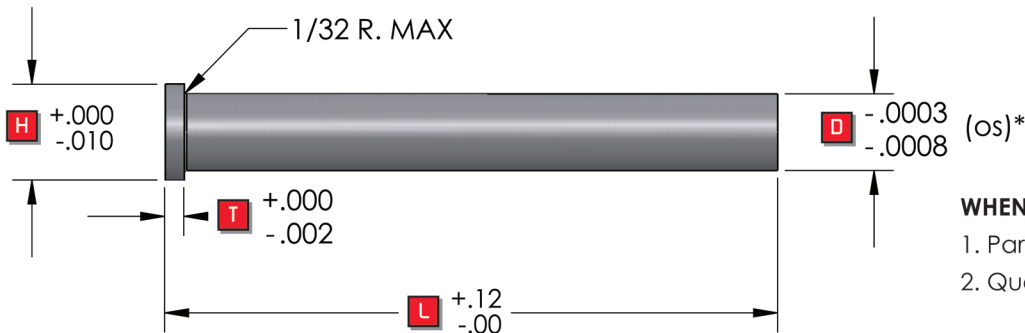
CATALOG No. LR-144 *
D = 3.990
(INSULATOR - CLAMP TYPE)





EJECTOR PINS

4 to 10"



WHEN ORDERING PLEASE SPECIFY:

1. Part Number
2. Quantity

EJECTOR PINS - INCH

* OS denotes
D .005 oversize

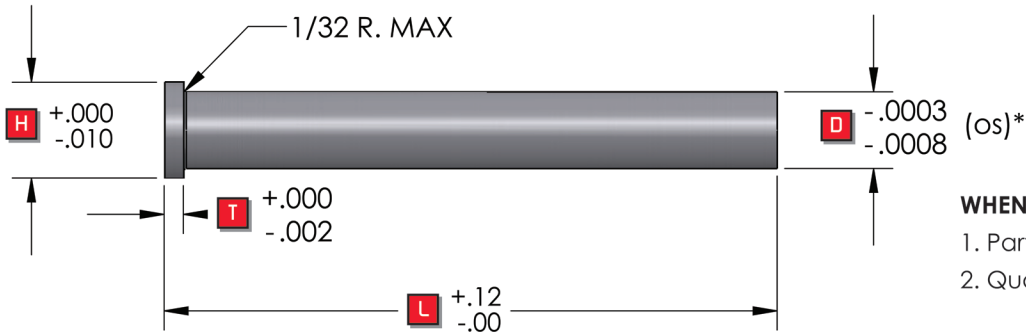
Pin Dia. D	Head Dia. H	Thick T	L = 4	L = 6	L = 10	L = 10 OS
			Part No.	Part No.	Part No.	Part No.
1/16	1/4	1/8	EP-0404	EP-0406	EP-0410	EP-0410 OS
5/64	1/4	1/8	EP-0504	EP-0506	EP-0510	EP-0510 OS
3/32	1/4	1/8	EP-0604	EP-0606	EP-0610	EP-0610 OS
7/64	1/4	1/8	EP-0704	EP-0706	EP-0710	EP-0710 OS
1/8	1/4	1/8	EP-0804	EP-0806	EP-0810	EP-0810 OS
9/64	1/4	1/8	EP-0904	EP-0906	EP-0910	EP-0910 OS
5/32	9/32	5/32	EP-1004	EP-1006	EP-1010	EP-1010 OS
11/64	11/32	3/16	EP-1104	EP-1106	EP-1110	EP-1110 OS
3/16	3/8	3/16	EP-1204	EP-1206	EP-1210	EP-1210 OS
13/64	3/8	3/16	EP-1304	EP-1306	EP-1310	EP-1310 OS
7/32	13/32	3/16	EP-1404	EP-1406	EP-1410	EP-1410 OS
15/64	13/32	3/16	EP-1504	EP-1506	EP-1510	EP-1510 OS
1/4	7/16	3/16	EP-1604	EP-1606	EP-1610	EP-1610 OS
17/64	7/16	1/4	EP-1704	EP-1706	EP-1710	EP-1710 OS
9/32	7/16	1/4	EP-1804	EP-1806	EP-1810	EP-1810 OS
19/64	1/2	1/4	EP-1904	EP-1906	EP-1910	EP-1910 OS
5/16	1/2	1/4	EP-2004	EP-2006	EP-2010	EP-2010 OS
21/64	9/16	1/4	EP-2104	EP-2106	EP-2110	EP-2110 OS
11/32	9/16	1/4	EP-2204	EP-2206	EP-2210	EP-2210 OS
23/64	5/8	1/4	EP-2304	EP-2306	EP-2310	EP-2310 OS
3/8	5/8	1/4	EP-2404	EP-2406	EP-2410	EP-2410 OS
25/64	37/64	1/4	EP-2504	EP-2506	EP-2510	EP-2510 OS
13/32	11/16	1/4	EP-2604	EP-2606	EP-2610	EP-2610 OS
27/64	11/16	1/4	EP-2704	EP-2706	EP-2710	EP-2710 OS
7/16	11/16	1/4	EP-2804	EP-2806	EP-2810	EP-2810 OS
29/64	45/64	1/4	EP-2904	EP-2906	EP-2910	EP-2910 OS
15/32	3/4	1/4	EP-3004	EP-3006	EP-3010	EP-3010 OS
31/64	3/4	1/4	EP-3104	EP-3106	EP-3110	EP-3110 OS
1/2	3/4	1/4	EP-3204	EP-3206	EP-3210	EP-3210 OS
17/32	25/32	1/4	EP-3404	EP-3406	EP-3410	
9/16	13/16	1/4	EP-3604	EP-3606	EP-3610	
5/8	7/8	1/4	EP-4004	EP-4006	EP-4010	
11/16	15/16	1/4	EP-4404	EP-4406	EP-4410	
3/4	1	1/4	EP-4804	EP-4806	EP-4810	
7/8	11/8	1/4	EP-5604	EP-5606	EP-5610	
1	11/4	1/4	EP-6404	EP-6406	EP-6410	

MATL: H-13
Core Hardness 50
+/- 2 Rc
Nitrided Surface
Hardness 70 +/- 4 Rc



EJECTOR PINS

1/4 to 40"



WHEN ORDERING PLEASE SPECIFY:
 1. Part Number
 2. Quantity

EJECTOR PINS - INCH

* OS denotes
 .005 oversize

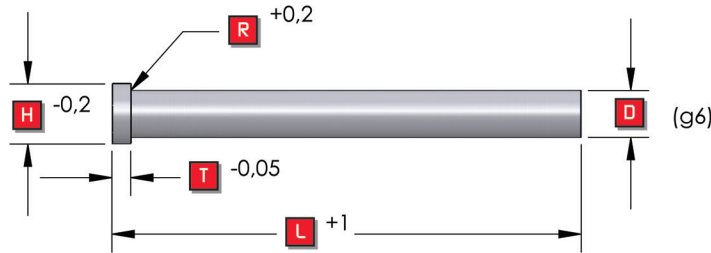
Pin Dia. D	L = 14 Part No.	L = 14 OS Part No.	L = 18 Part No.	L = 18 OS Part No.	L = 25 Part No.	L = 40 Part No.
1/16						
5/64						
3/32						
7/64						
1/8	EP-0814	EP-0814 OS				
9/64	EP-0914	EP-0914 OS				
5/32	EP-1014	EP-1014 OS	EP-1018	EP-1018 OS		
11/64	EP-1114	EP-1114 OS				
3/16	EP-1214	EP-1214 OS	EP-1218	EP-1218 OS	EP-1225	
13/64	EP-1314	EP-1314 OS				
7/32	EP-1414	EP-1414 OS	EP-1418	EP-1418 OS	EP-1425	
15/64	EP-1514	EP-1514 OS				
1/4	EP-1614	EP-1614 OS	EP-1618	EP-1618 OS	EP-1625	EP-1640
17/64	EP-1714	EP-1714 OS			EP-1725	
9/32	EP-1814	EP-1814 OS	EP-1818	EP-1818 OS	EP-1825	
19/64	EP-1914	EP-1914 OS				
5/16	EP-2014	EP-2014 OS	EP-2018	EP-2018 OS	EP-2025	EP-2040
21/64	EP-2114	EP-2114 OS			EP-2125	
11/32	EP-2214	EP-2214 OS	EP-2218	EP-2218 OS	EP-2225	
23/64	EP-2314	EP-2314 OS				
3/8	EP-2414	EP-2414 OS	EP-2418	EP-2418 OS	EP-2425	EP-2440
25/64	EP-2514	EP-2514 OS				
13/32	EP-2614	EP-2614 OS	EP-2618	EP-2618 OS	EP-2625	
27/64	EP-2714	EP-2714 OS				
7/16	EP-2814	EP-2814 OS	EP-2818	EP-2818 OS	EP-2825	EP-2840
29/64	EP-2914	EP-2914 OS				
15/32	EP-3014	EP-3014 OS	EP-3018	EP-3018 OS	EP-3025	
31/64	EP-3114	EP-3114 OS				
1/2	EP-3214	EP-3214 OS	EP-3218	EP-3218 OS	EP-3225	EP-3240
17/32	EP-3414		EP-3418			
9/16	EP-3614		EP-3618		EP-3625	
5/8	EP-4014		EP-4018		EP-4025	EP-4040
11/16	EP-4414		EP-4418		EP-4425	
3/4	EP-4814		EP-4818		EP-4825	EP-4840
7/8	EP-5614		EP-5618		EP-5625	
1	EP-6414		EP-6418		EP-6425	EP-6440

MATL: H-13
Core Hardness 50
+/- 2 Rc
Nitrided Surface
Hardness 70 +/- 4 Rc



EJECTOR PINS

100 to 200 mm



WHEN ORDERING PLEASE SPECIFY:

1. Part Number
2. Quantity

EJECTOR PINS - METRIC

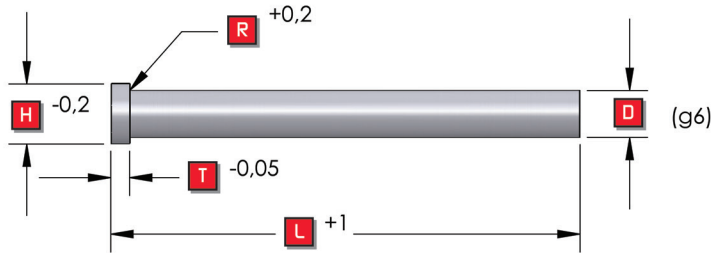
Pin Dia. D	Head Dia. H	Thick T	Radius R	L = 100	L = 125	L = 160	L = 200
				Part No.	Part No.	Part No.	Part No.
1	3	1,5	0,2	EM-010100		EM-010160	
1,2	3	1,5	0,2	EM-012100		EM-012160	
1,5	3	1,5	0,2	EM-015100	EM-015125	EM-015160	EM-015200
1,6	3	1,5	0,2				
1,7	3	1,5	0,2	EM-017100	EM-017125	EM-017160	EM-017200
2	4	2	0,2	EM-020100	EM-020125	EM-020160	EM-020200
2,2	4	2	0,2	EM-022100	EM-022125	EM-022160	EM-022200
2,5	5	2	0,3	EM-025100	EM-025125	EM-025160	EM-025200
2,7	5	2	0,3	EM-027100	EM-027125	EM-027160	EM-027200
3	6	3	0,3	EM-030100	EM-030125	EM-030160	EM-030200
3,1	6	3	0,3			EM-031160	
3,2	6	3	0,3	EM-032100	EM-032125	EM-032160	EM-032200
3,5	7	3	0,3	EM-035100	EM-035125	EM-035160	EM-035200
3,7	7	3	0,3	EM-037100	EM-037125	EM-037160	EM-037200
4	8	3	0,3	EM-040100	EM-040125	EM-040160	EM-040200
4,1	8	3	0,3				
4,2	8	3	0,3	EM-042100	EM-042125	EM-042160	EM-042200
4,5	8	3	0,3	EM-045100	EM-045125	EM-045160	EM-045200
5	10	3	0,3	EM-050100	EM-050125	EM-050160	EM-050200
5,1	10	3	0,3				
5,2	10	3	0,3	EM-052100	EM-052125	EM-052160	EM-052200
5,5	10	3	0,3	EM-055100	EM-055125	EM-055160	EM-055200
6	12	5	0,5	EM-060100	EM-060125	EM-060160	EM-060200
6,1	12	5	0,5				
6,2	12	5	0,5	EM-062100	EM-062125	EM-062160	EM-062200
6,5	12	5	0,5	EM-065100	EM-065125	EM-065160	EM-065200
7	12	5	0,5	EM-070100	EM-070125	EM-070160	EM-070200
7,5	12	5	0,5	EM-075100	EM-075125	EM-075160	EM-075200
8	14	5	0,5	EM-080100	EM-080125	EM-080160	EM-080200
8,1	14	5	0,5			EM-081160	
8,2	14	5	0,5	EM-082100	EM-082125	EM-082160	EM-082200
8,5	14	5	0,5	EM-085100	EM-085125	EM-085160	EM-085200
9	14	5	0,5	EM-090100	EM-090125	EM-090160	EM-090200
9,5	14	5	0,5	EM-095100	EM-095125	EM-095160	EM-095200
10	16	5	0,5	EM-100100	EM-100125	EM-100160	EM-100200
10,1	16	5	0,5				
10,2	16	5	0,5	EM-102100	EM-102125	EM-102160	EM-102200
10,5	16	5	0,5	EM-105100	EM-105125	EM-105160	EM-105200
11	16	5	0,5	EM-110100	EM-110125	EM-110160	EM-110200
12	18	7	0,8	EM-120100	EM-120125	EM-120160	EM-120200
12,2	18	7	0,8	EM-122100	EM-122125	EM-122160	EM-122200
12,5	18	7	0,8	EM-125100	EM-125125	EM-125160	EM-125200
14	22	7	0,8	EM-140100	EM-140125	EM-140160	EM-140200
14,2	22	7	0,8				
16	22	7	0,8	EM-160100	EM-160125	EM-160160	EM-160200
16,2	22	7	0,8				
18	24	7	0,8	EM-180100	EM-180125	EM-180160	EM-180200
20	26	8	1	EM-200100	EM-200125	EM-200160	EM-200200
25	32	10	1			EM-250160	EM-250200
32	40	10	1			EM-320160	EM-320200

MATL: H-13
Core Hardness 50 +/- 2 Rc
Nitrided Surface Hardness 70 +/- RC



EJECTOR PINS

250 to 1000 mm



WHEN ORDERING PLEASE SPECIFY:

1. Part Number
2. Quantity

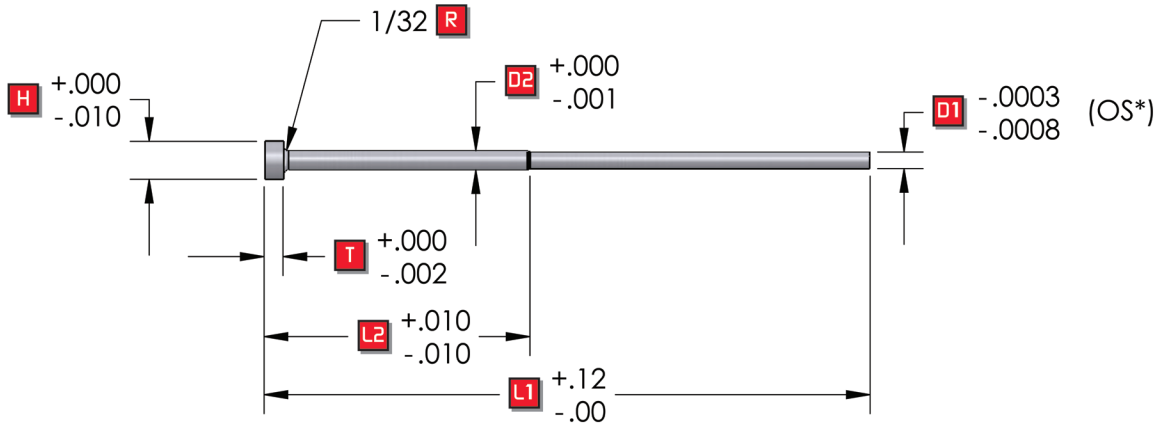
EJECTOR PINS - METRIC

Pin Dia. D	L = 250	L = 315	L = 400	L = 500	L = 630	L = 800	L = 1000
			Part No.	Part No.	Part No.	Part No.	Part No.
1							
1,2							
1,5							
1,6							
1,7							
2	EM-020250	EM-020315					
2,2	EM-022250	EM-022315					
2,5	EM-025250	EM-025315					
2,7	EM-027250	EM-027315					
3	EM-030250	EM-030315	EM-030400	EM-030500			
3,1	EM-031250						
3,2	EM-032250	EM-032315	EM-032400				
3,5	EM-035250	EM-035315	EM-035400				
3,7	EM-037250	EM-037315	EM-037400				
4	EM-040250	EM-040315	EM-040400	EM-040500			
4,1	EM-041250						
4,2	EM-042250	EM-042315	EM-042400	EM-042500	EM-042630		
4,5	EM-045250	EM-045315	EM-045400				
5	EM-050250	EM-050315	EM-050400	EM-050500	EM-050630	EM-050800	
5,1	EM-051250						
5,2	EM-052250	EM-052315	EM-052400	EM-052500	EM-052630		
5,5	EM-055250	EM-055315	EM-055400	EM-055500	EM-055630		
6	EM-060250	EM-060315	EM-060400	EM-060500	EM-060630	EM-060800	EM-0601000
6,1	EM-061250						
6,2	EM-062250	EM-062315	EM-062400	EM-062500	EM-062630		
6,5	EM-065250	EM-065315	EM-065400	EM-065500			
7	EM-070250	EM-070315	EM-070400	EM-070500	EM-070630		
7,5	EM-075250	EM-075315	EM-075400	EM-075500			
8	EM-080250	EM-080315	EM-080400	EM-080500	EM-080630	EM-080800	EM-0801000
8,1	EM-081250						
8,2	EM-082250	EM-082315	EM-082400	EM-082500	EM-082630	EM-082800	
8,5	EM-085250	EM-085315	EM-085400	EM-085500	EM-085630		
9	EM-090250	EM-090315	EM-090400	EM-090500	EM-090630		
9,5	EM-095250	EM-095315	EM-095400	EM-095500			
10	EM-100250	EM-100315	EM-100400	EM-100500	EM-100630	EM-100800	EM-1001000
10,1	EM-101250						
10,2	EM-102250	EM-102315	EM-102400	EM-102500	EM-102630	EM-102800	
10,5	EM-105250	EM-105315	EM-105400	EM-105500	EM-105630		
11	EM-110250	EM-110315	EM-110400	EM-110500	EM-110630		
12	EM-120250	EM-120315	EM-120400	EM-120500	EM-120630	EM-120800	EM-1201000
12,2	EM-122250	EM-122315	EM-122400	EM-122500	EM-122630	EM-122800	
12,5	EM-125250	EM-125315	EM-125400	EM-125500	EM-125630	EM-125800	
14	EM-140250	EM-140315	EM-140400	EM-140500	EM-140630	EM-140800	EM-1401000
14,2	EM-142250						
16	EM-160250	EM-160315	EM-160400	EM-160500	EM-160630	EM-160800	EM-1601000
16,2	EM-162250						
18	EM-180250	EM-180315	EM-180400	EM-180500	EM-180630	EM-180800	EM-1801000
20	EM-200250	EM-200315	EM-200400	EM-200500	EM-200630	EM-200800	EM-2001000
25	EM-250250	EM-250315	EM-250400	EM-250500	EM-250630	EM-250800	EM-2501000
32	EM-320250	EM-320315	EM-320400	EM-320500	EM-320630	EM-320800	EM-3201000

MATL: H-13
Core Hardness 50 +/- 2 Rc
Nitrided Surface Hardness 70 +/- RC



EJECTOR STEP PINS



WHEN ORDERING PLEASE SPECIFY:

1. Part Number
2. Quantity

MATL: H-13
Core Hardness 50 +/- 2 Rc
Nitrided Surface Hardness 70 +/- RC

EJECTOR STEP PINS - INCH

D1	L2	D2 & T	H	L1 = 4"	L1 = 6"	L1 = 8"	L1 = 10"
				Part No.	Part No.	Part No.	Part No.
1/32	1/2	1/8	1/4	ES-20504	ES-20506	ES-22008	
	2	1/8	1/4		ES-22006		
3/64	1/2	1/8	1/4	ES-30504	ES-30506	ES-32008	ES-30510
	2	1/8	1/4		ES-32006		ES-32010
1/16	1/2	1/8	1/4	ES-40504	ES-40506	ES-42008	ES-40510
	2	1/8	1/4		ES-42006		ES-42010
5/64	1/2	1/8	1/4	ES-50504	ES-50506	ES-52008	ES-50510
	2	1/8	1/4		ES-52006		ES-52010
3/32	1/2	1/8	1/4	ES-60504	ES-60506	ES-62008	ES-60510
	2	1/8	1/4		ES-62006		ES-62010
7/64	1/2	1/8	1/4	ES-70504	ES-70506	ES-72008	ES-70510
	2	1/8	1/4		ES-72006		ES-72010

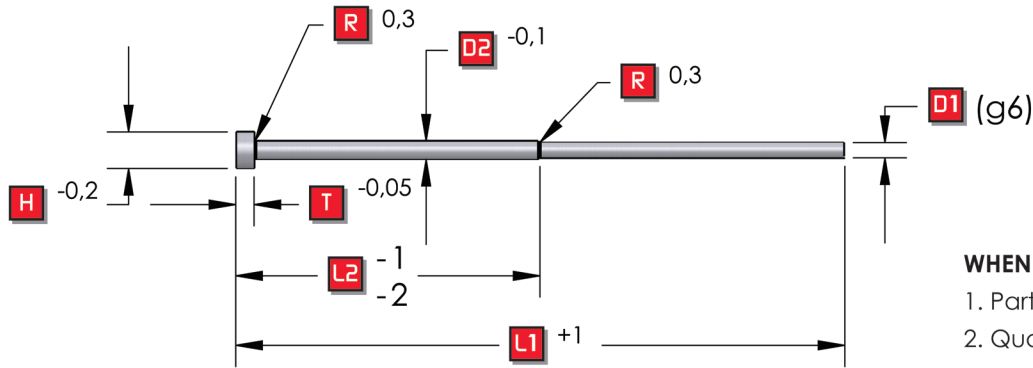
* 'OS' denotes D1 .005 oversize

Oversize available on 6", 8", 10"
 When ordering, add 'OS' to end of part number



EJECTOR STEP PINS

METRIC



WHEN ORDERING PLEASE SPECIFY:

1. Part Number
2. Quantity

EJECTOR STEP PINS - METRIC

D1	L2	D2 & T	H	L1 = 80 Part No.	L1 = 100 Part No.	L1 = 125 Part No.	L1 = 160 Part No.	L1 = 200 Part No.
0.8	35	2	4	ESM0835080				
	50	2	4		ESM0850100	ESM0850125		
	75	2	4				ESM0875160	
0.9	35	2	4	ESM0935080				
	50	2	4		ESM0950100	ESM0950125		
	75	2	4				ESM0975160	
1.0	35	2	4	ESM1035080				
	50	2	4		ESM1050100	ESM1050125	ESM1050160	
	75	2	4				ESM1075160	
1.1	35	2	4	ESM1135080				
	50	2	4		ESM1150100	ESM1150125		
	75	2	4				ESM1175160	
1.2	35	2	4	ESM1235080				
	50	2	4		ESM1250100	ESM1250125		
	75	2	4				ESM1275160	
1.3	35	2	4	ESM1335080				
	50	2	4		ESM1350100	ESM1350125		
	75	2	4				ESM1375160	
1.4	35	2	4	ESM1435080				
	50	2	4		ESM1450100	ESM1450125		
	75	2	6				ESM1475160	
1.5	35	3	6	ESM1535080				
	50	3	6		ESM1550100	ESM1550125	ESM1550160	
	75	3	6				ESM1575160	ESM1575200
1.6	35	3	6	ESM1635080				
	50	3	6		ESM1650100	ESM1650125		
	75	3	6				ESM1675160	ESM1675200
1.7	35	3	6	ESM1735080				
	50	3	6		ESM1750100	ESM1750125		
	75	3	6				ESM1775160	ESM1775200
1.8	35	3	6	ESM1835080				
	50	3	6		ESM1850100	ESM1850125		
	75	3	6				ESM1875160	ESM1875200
1.9	35	3	6	ESM1935080				
	50	3	6		ESM1950100	ESM1950125		
	75	3	6				ESM1975160	ESM1975200
2.0	35	3	6	ESM2035080				
	50	3	6		ESM2050100	ESM2050125		
	75	3	6				ESM2075160	ESM2075200
2.2	35	3	6	ESM2235080				
	50	3	6		ESM2250100	ESM2250125		
	75	3	6				ESM2275160	ESM2275200
2.5	35	3	6					
	50	3	6		ESM2550100	ESM2550125		
	75	3	6				ESM2575160	ESM2575200

MATL: H-13

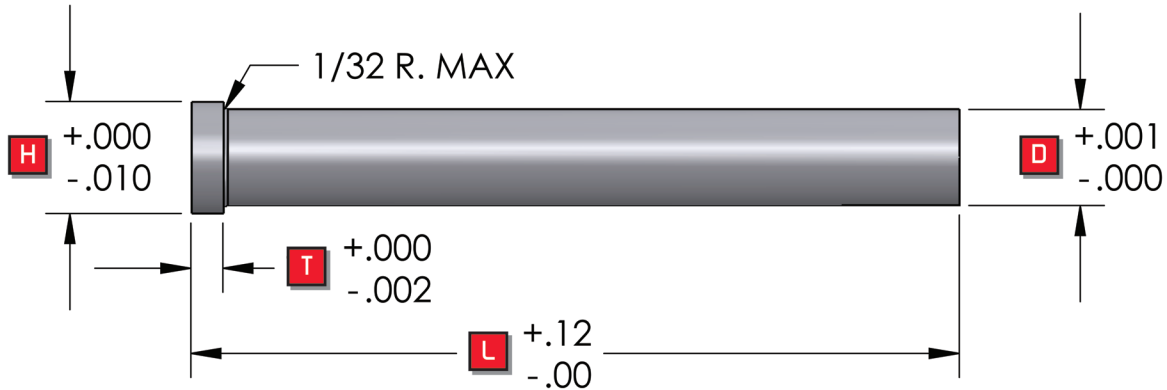
Core Hardness 50
+/- 2 Rc

Nitrided Surface
Hardness 70 +/- 4 Rc



CORE PINS

STANDARD HARDNESS



WHEN ORDERING PLEASE SPECIFY:

1. Part Number
2. Quantity

MATL: H-13

Hardness 32 +/- 2 Rc

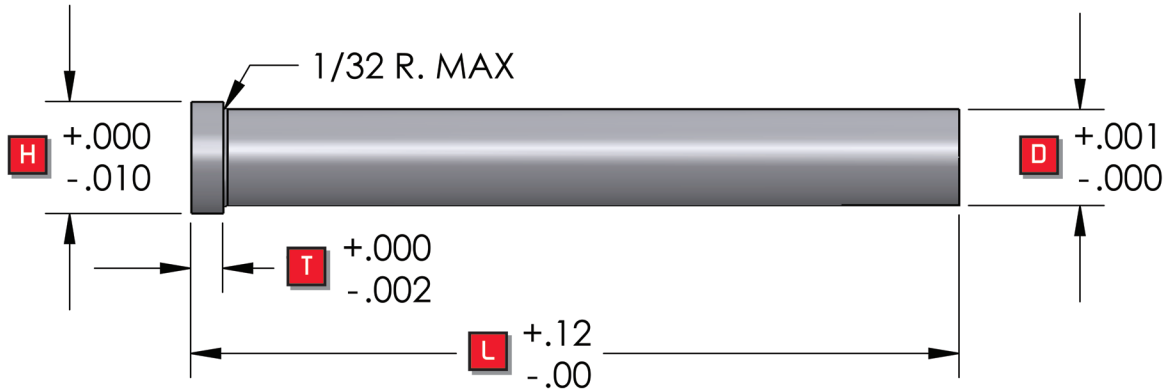
CORE PINS - STANDARD HARDNESS

Pin Dia. D	Head Dia. H	Thick T	L = 3"	L = 6"	L = 10"	L = 14"	L = 18"
			Part No.	Part No.	Part No.	Part No.	Part No.
3/32	1/4	1/8	CPS-0603	CPS-0606	CPS-0610		
7/64	1/4	1/8	CPS-0703	CPS-0706	CPS-0710		
1/8	1/4	1/8	CPS-0803	CPS-0806	CPS-0810	CPS-0814	
9/64	1/4	1/8	CPS-0903	CPS-0906	CPS-0910	CPS-0914	
5/32	9/32	5/32	CPS-1003	CPS-1006	CPS-1010	CPS-1014	CPS-1018
11/64	11/32	3/16	CPS-1103	CPS-1106	CPS-1110	CPS-1114	CPS-1118
3/16	3/8	3/16	CPS-1203	CPS-1206	CPS-1210	CPS-1214	CPS-1218
13/64	3/8	3/16	CPS-1303	CPS-1306	CPS-1310	CPS-1314	CPS-1318
7/32	13/32	3/16	CPS-1403	CPS-1406	CPS-1410	CPS-1414	CPS-1418
1/4	7/16	3/16	CPS-1603	CPS-1606	CPS-1610	CPS-1614	CPS-1618
9/32	7/16	1/4	CPS-1803	CPS-1806	CPS-1810	CPS-1814	CPS-1818
5/16	1/2	1/4	CPS-2003	CPS-2006	CPS-2010	CPS-2014	CPS-2018
11/32	9/16	1/4	CPS-2203	CPS-2206	CPS-2210	CPS-2214	CPS-2218
3/8	5/8	1/4	CPS-2403	CPS-2406	CPS-2410	CPS-2414	CPS-2418
13/32	11/16	1/4	CPS-2603	CPS-2606	CPS-2610	CPS-2614	CPS-2618
7/16	11/16	1/4	CPS-2803	CPS-2806	CPS-2810	CPS-2814	CPS-2818
15/32	3/4	1/4	CPS-3003	CPS-3006	CPS-3010	CPS-3014	CPS-3018
1/2	3/4	1/4	CPS-3203	CPS-3206	CPS-3210	CPS-3214	CPS-3218
9/16	13/16	1/4		CPS-3606	CPS-3610	CPS-3614	CPS-3618
5/8	7/8	1/4		CPS-4006	CPS-4010	CPS-4014	CPS-4018
3/4	1	1/4		CPS-4806	CPS-4810	CPS-4814	CPS-4818



CORE PINS

HIGH HARDNESS



WHEN ORDERING PLEASE SPECIFY:

1. Part Number
2. Quantity

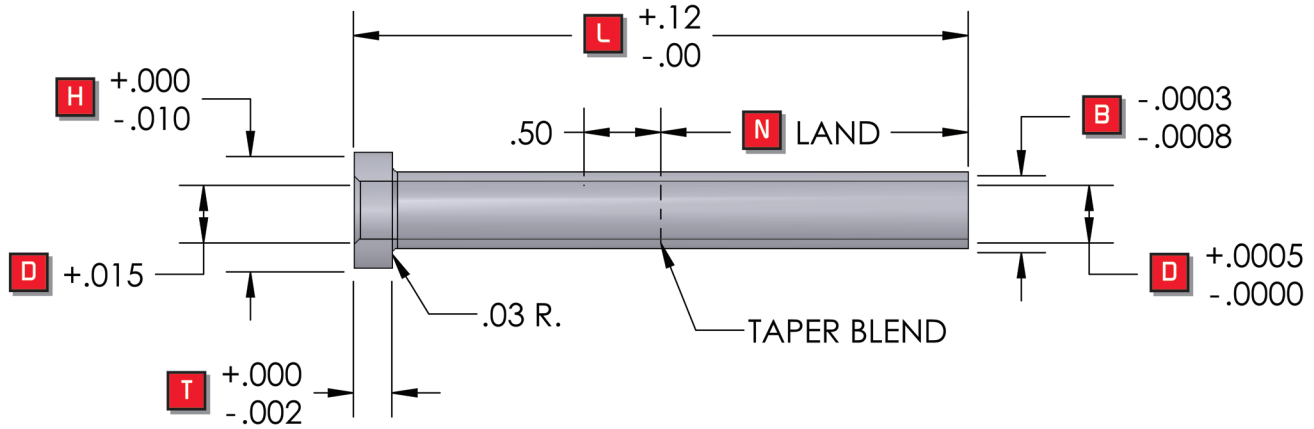
MATL: H-13
Hardness 52 +/- 2 Rc

CORE PINS - HIGH HARDNESS

Pin Dia. D	Head Dia. H	Thick T	L = 3"	L = 6"	L = 10"	L = 14"	L = 18"
			Part No.	Part No.	Part No.	Part No.	Part No.
3/32	1/4	1/8	CP-0603	CP-0606	CP-0610		
7/64	1/4	1/8	CP-0703	CP-0706	CP-0710		
1/8	1/4	1/8	CP-0803	CP-0806	CP-0810	CP-0814	
9/64	1/4	1/8	CP-0903	CP-0906	CP-0910	CP-0914	
5/32	9/32	5/32	CP-1003	CP-1006	CP-1010	CP-1014	CP-1018
11/64	11/32	3/16	CP-1103	CP-1106	CP-1110	CP-1114	CP-1118
3/16	3/8	3/16	CP-1203	CP-1206	CP-1210	CP-1214	CP-1218
13/64	3/8	3/16	CP-1303	CP-1306	CP-1310	CP-1314	CP-1318
7/32	13/32	3/16	CP-1403	CP-1406	CP-1410	CP-1414	CP-1418
1/4	7/16	3/16	CP-1603	CP-1606	CP-1610	CP-1614	CP-1618
9/32	7/16	1/4	CP-1803	CP-1806	CP-1810	CP-1814	CP-1818
5/16	1/2	1/4	CP-2003	CP-2006	CP-2010	CP-2014	CP-2018
11/32	9/16	1/4	CP-2203	CP-2206	CP-2210	CP-2214	CP-2218
3/8	5/8	1/4	CP-2403	CP-2406	CP-2410	CP-2414	CP-2418
13/32	11/16	1/4	CP-2603	CP-2606	CP-2610	CP-2614	CP-2618
7/16	11/16	1/4	CP-2803	CP-2806	CP-2810	CP-2814	CP-2818
15/32	3/4	1/4	CP-3003	CP-3006	CP-3010	CP-3014	CP-3018
1/2	3/4	1/4	CP-3203	CP-3206	CP-3210	CP-3214	CP-3218
9/16	13/16	1/4		CP-3606	CP-3610	CP-3614	CP-3618
5/8	7/8	1/4		CP-4006	CP-4010	CP-4014	CP-4018
3/4	1	1/4		CP-4806	CP-4810	CP-4814	CP-4818



EJECTOR SLEEVES



EJECTOR SLEEVES				
D	B	H	N	T
3/32	.1875	.375	1.75	.187
1/8	.2187	.406	1.75	.187
5/32	.2500	.437	2.25	.187
3/16	.3125	.500	2.25	.250
7/32	.3437	.562	2.25	.250
1/4	.3750	.625	2.25	.250
5/16	.4375	.687	2.25	.250
3/8	.5000	.750	2.25	.250
7/16	.6250	.875	2.25	.250
1/2	.6875	.937	2.25	.250
9/16	.7500	1.000	2.25	.250
5/8	.8750	1.125	2.25	.250
3/4	1.0000	1.250	2.25	.250

WHEN ORDERING PLEASE SPECIFY:

1. Part Number
2. Quantity

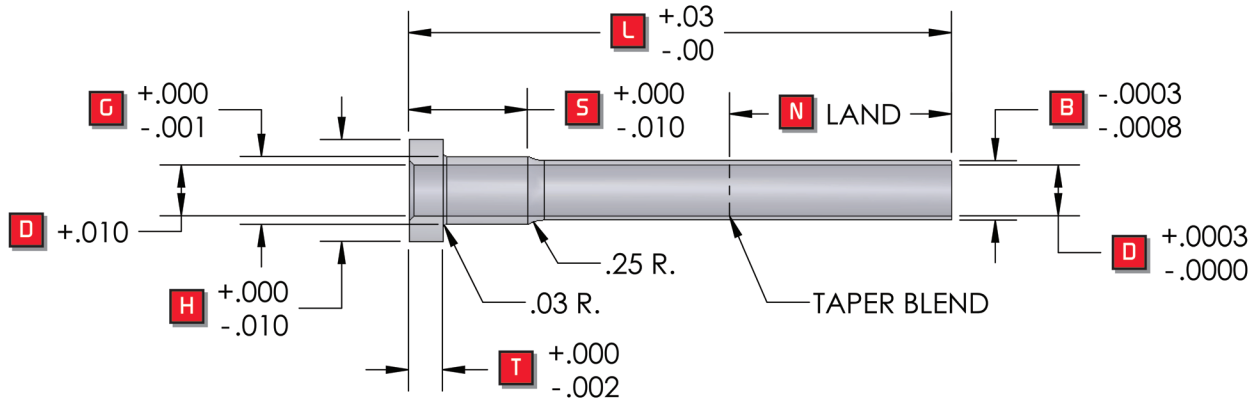
Core Hardness 50 +/- 2 Rc
Nitrided Surface Hardness 70 +/- 4 Rc

EJECTOR SLEEVES

D	L = 3"	L = 4"	L = 5"	L = 6"	L = 7"	L = 8"	L = 9"	L = 10"	L = 11"	L = 12"
	Part No.	Part No.	Part No.	Part No.	Part No.	Part No.	Part No.	Part No.	Part No.	Part No.
3/32	EJSL-0603	EJSL-0604	EJSL-0605	EJSL-0606	EJSL-0607					
1/8	EJSL-0803	EJSL-0804	EJSL-0805	EJSL-0806	EJSL-0807					
5/32		EJSL-1004	EJSL-1005	EJSL-1006	EJSL-1007	EJSL-1008	EJSL-1009	EJSL-1010		
3/16		EJSL-1204	EJSL-1205	EJSL-1206	EJSL-1207	EJSL-1208	EJSL-1209	EJSL-1210	EJSL-1211	EJSL-1212
7/32		EJSL-1404	EJSL-1405	EJSL-1406	EJSL-1407	EJSL-1408	EJSL-1409	EJSL-1410		
1/4		EJSL-1604	EJSL-1605	EJSL-1606	EJSL-1607	EJSL-1608	EJSL-1609	EJSL-1610	EJSL-1611	EJSL-1612
5/16		EJSL-2004	EJSL-2005	EJSL-2006	EJSL-2007	EJSL-2008	EJSL-2009	EJSL-2010	EJSL-2011	EJSL-2012
3/8		EJSL-2404	EJSL-2405	EJSL-2406	EJSL-2407	EJSL-2408	EJSL-2409	EJSL-2410	EJSL-2411	EJSL-2412
7/16		EJSL-2804	EJSL-2805	EJSL-2806	EJSL-2807	EJSL-2808	EJSL-2809	EJSL-2810	EJSL-2811	EJSL-2812
1/2		EJSL-3204	EJSL-3205	EJSL-3206	EJSL-3207	EJSL-3208	EJSL-3209	EJSL-3210	EJSL-3211	EJSL-3212
9/16		EJSL-3604	EJSL-3605	EJSL-3606	EJSL-3607	EJSL-3608	EJSL-3609	EJSL-3610	EJSL-3611	EJSL-3612
5/8		EJSL-4004	EJSL-4005	EJSL-4006	EJSL-4007	EJSL-4008	EJSL-4009	EJSL-4010	EJSL-4011	EJSL-4012
3/4		EJSL-4804	EJSL-4805	EJSL-4806	EJSL-4807	EJSL-4808	EJSL-4809	EJSL-4810	EJSL-4811	EJSL-4812



GLIDE SLEEVES™



WHEN ORDERING PLEASE SPECIFY:

1. Part Number
2. Quantity

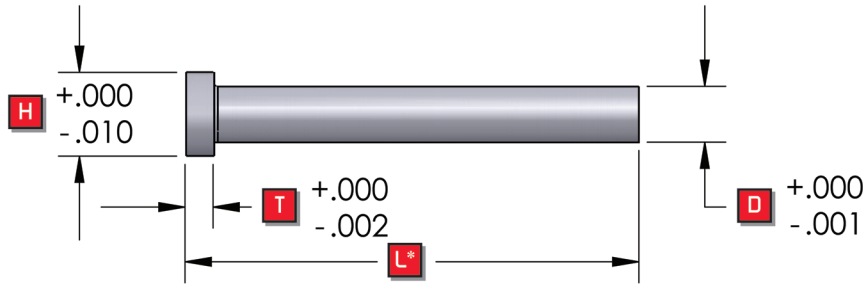
Core Hardness 42 +/- 2 Rc
 Nitrided ID 65 - 74 Rc
 Iosso® OD 70 - 78 Rc

GLIDE SLEEVES

D	B	G	H	N	T	S	L = 4"	L = 5"	L = 6"	L = 8"
							Part No.	Part No.	Part No.	Part No.
3/32	.1563	.188	.375	1.75	.187	.500	EJS-0604	EJS-0605	EJS-0606	
1/8	.1875	.219	.406	1.75	.187	.500	EJS-0804	EJS-0805	EJS-0806	
5/32	.2187	.250	.437	2.50	.187	.500	EJS-1004		EJS-1006	EJS-1008
3/16	.2500	.312	.500	2.50	.250	.625	EJS-1204		EJS-1206	EJS-1208
7/32	.2813	.344	.562	2.50	.250	.625	EJS-1404		EJS-1406	EJS-1408
1/4	.3125	.375	.625	2.50	.250	.625	EJS-1604		EJS-1606	EJS-1608
5/16	.3750	.438	.687	2.50	.250	.625	EJS-2004		EJS-2006	EJS-2008
3/8	.4375	.500	.750	2.50	.250	.625	EJS-2404		EJS-2406	EJS-2408



RETURN PINS & SPRUE PULLERS



* Return Pins $+0.013/+0.003$
 Sprue Puller Pins $+0.120/-0.000$

WHEN ORDERING PLEASE SPECIFY:

1. Part Number
2. Quantity

Diameter	D	H	T
1/4"	.250	.438	.187
3/8"	.375	.625	.250
1/2"	.500	.750	.250
5/8"	.625	.875	.250
3/4"	.750	1.000	.250

MATL: H-13
Core Hardness 46 +/- 2 Rc
Nitrided Surface Hardness 70 +/- 2 Rc

RETURN PINS 1/2" AND 5/8" DIAMETER

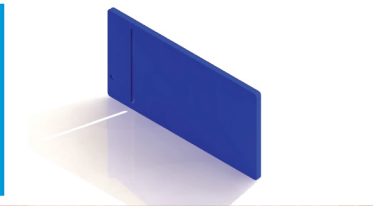
L	4.063	4.563	5.063	5.563	6.063	6.563	7.063	7.563	8.063
Dia = 1/2"	RP-5041	RP-5049	RP-5051	RP-5059	RP-5061	RP-5069	RP-5071	RP-5079	RP-5081
Dia = 5/8"	RP-6241	RP-6249	RP-6251	RP-6259	RP-6261	RP-6269	RP-6271	RP-6279	RP-6281

RETURN PINS 3/4" DIAMETER

L	4.438	4.938	5.438	5.938	6.438	6.938	7.438	7.938	8.438	8.938	9.438
Dia = 3/4"	RP-75407	RP-75415	RP-75507	RP-75515	RP-75607	RP-75615	RP-75707	RP-75715	RP-75807	RP-75815	RP-75907

SPRUE PULLER PINS

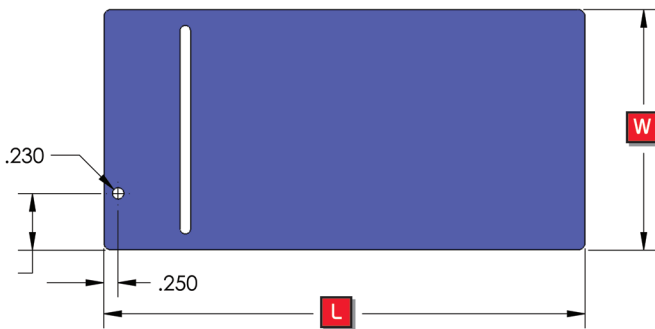
L	3.875	4.375	4.875	5.375	5.875	6.375	6.875	7.375	7.875	8.375	8.875	9.375
Dia = 1/4"	SP-2537	SP-2543	SP-2547	SP-2553	SP-2557	SP-2563	SP-2567	SP-2573	SP-2577	SP-2583	SP-2587	SP-2593
Dia = 3/8"	SP-3737	SP-3743	SP-3747	SP-3753	SP-3757	SP-3763	SP-3767	SP-3773	SP-3777	SP-3783	SP-3787	SP-3793



CLOZ-IT™

EJECTOR HOUSING COVER

The CLOZ-IT is an easy mold base addition that helps to eliminate hazardous pinch points and debris jamming in your ejector housing. Made of durable and corrosion-free anodized aluminum, the CLOZ-IT also features a unique viewport to monitor ejector plate positions during the molding cycle.



Note: one mounting hole is provided standard. Additional holes should be used to ensure proper assembly.

WHEN ORDERING PLEASE SPECIFY:

1. Part Number
2. Quantity

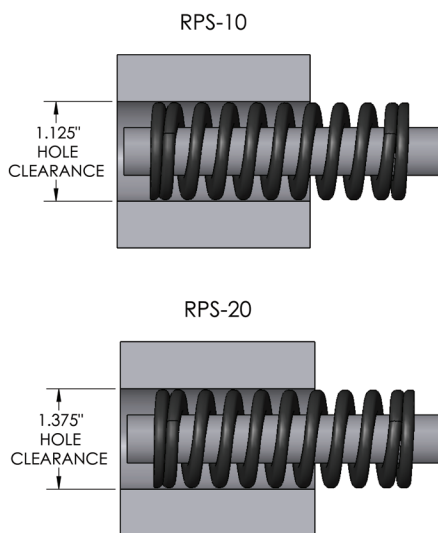
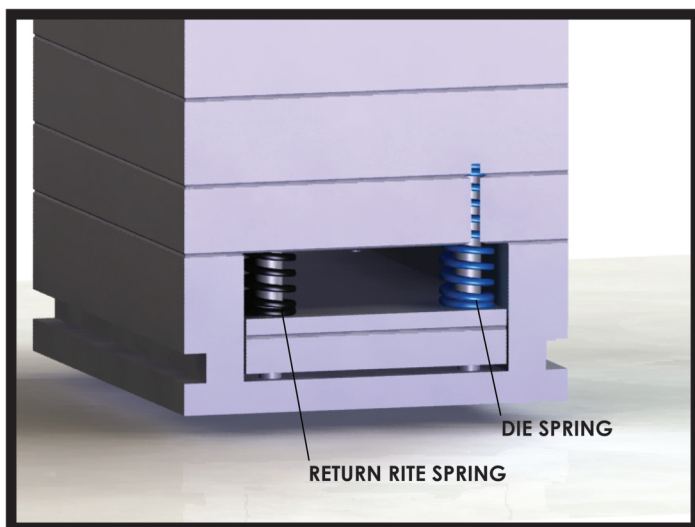


CLOZ-IT™				
MOLD BASE DIMENSIONS		SPECIFICATIONS		
WIDTH	"C" HEIGHT	L	W	Part No.
7 7/8"	2.5	6.125	2.750	CZ-0825
	3.0	6.125	3.250	CZ-0830
	3.5	6.125	3.750	CZ-0835
	4.0	6.125	4.250	CZ-0840
	4.5	6.125	4.750	CZ-0845
9 7/8"	2.5	8.000	2.750	CZ-1025
	3.0	8.000	3.250	CZ-1030
	3.5	8.000	3.750	CZ-1035
	4.0	8.000	4.250	CZ-1040
	4.5	8.000	4.750	CZ-1045
10 7/8"	2.5	8.500	2.750	CZ-1125
	3.0	8.500	3.250	CZ-1130
	3.5	8.500	3.750	CZ-1135
	4.0	8.500	4.250	CZ-1140
	4.5	8.500	4.750	CZ-1145
11 7/8"	3.0	9.500	3.250	CZ-1230
	3.5	9.500	3.750	CZ-1235
	4.0	9.500	4.250	CZ-1240
	4.5	9.500	4.750	CZ-1245
	13 3/8"	3.0	10.625	3.250
3.5		10.625	3.750	CZ-1335
4.0		10.625	4.250	CZ-1340
4.5		10.625	4.750	CZ-1345
14 7/8"		3.0	12.125	3.250
	3.5	12.125	3.750	CZ-1535
	4.0	12.125	4.250	CZ-1540
	4.5	12.125	4.750	CZ-1545
	15 7/8"	3.0	13.125	3.250
3.5		13.125	3.750	CZ-1635
4.0		13.125	4.250	CZ-1640
4.5		13.125	4.750	CZ-1645
16 1/2"		3.0	13.750	3.250
	3.5	13.750	3.750	CZ-1735
	4.0	13.750	4.250	CZ-1740
	4.5	13.750	4.750	CZ-1745
	17 7/8"	3.0	15.125	3.250
3.5		15.125	3.750	CZ-1835
4.0		15.125	4.250	CZ-1840
4.5		15.125	4.750	CZ-1845
19 1/2"		3.0	16.750	3.250
	3.5	16.750	3.750	CZ-1935
	4.0	16.750	4.250	CZ-1940
	4.5	16.750	4.750	CZ-1945
	23 3/4"	3.0	21.000	3.250
3.5		21.000	3.750	CZ-2435
4.0		21.000	4.250	CZ-2440
4.5		21.000	4.750	CZ-2445



RETURN-RITE™ SPRINGS

Return Rite Springs are purposely designed for one application – safely returning the ejector plates to the closed position. They are specially engineered and uniquely coiled for specific force ratings, which will maintain proper load retention and long operating life. This way you receive smaller, more compact springs that take up less mold cavity area and do not break through the plate edge, which reduce pinch points and debris jamming.



Return pins shown in Outboard location

Part No.	DIMENSIONAL DATA (INCH)			LOAD DEFLECTION DATA (LBS)		
	OUTSIDE DIAMETER	INSIDE DIAMETER	FREE LENGTH	PRELOAD (AT .100")	OPTIMUM LIFE (AT 25%)	MAX DEFLECTION (AT 40%)
RPS-1030	1.100	.788	3.00	13.33	100.00	160.00
RPS-1035	1.100	.788	3.50	11.40	100.00	160.00
RPS-1040	1.100	.788	4.00	10.00	100.00	160.00
RPS-1045	1.100	.788	4.50	8.90	100.00	160.00
RPS-1050	1.100	.788	5.00	8.00	100.00	160.00
RPS-1055	1.100	.776	5.50	7.27	100.00	160.00
RPS-1060	1.100	.776	6.00	6.67	100.00	160.00
RPS-1065	1.100	.776	6.50	6.15	100.00	160.00
RPS-1070	1.100	.776	7.00	5.71	100.00	160.00

Part No.	DIMENSIONAL DATA (inches)			LOAD DEFLECTION DATA (lbs)		
	OUTSIDE DIAMETER	INSIDE DIAMETER	FREE LENGTH	PRELOAD (AT .100")	OPTIMUM LIFE (AT 25%)	MAX DEFLECTION (AT 40%)
RPS-2040	1.350	.936	4.00	20.00	200.00	320.00
RPS-2045	1.350	.936	4.50	17.78	200.00	320.00
RPS-2050	1.350	.936	5.00	16.00	200.00	320.00
RPS-2055	1.350	.936	5.50	14.54	200.00	320.00
RPS-2060	1.350	.936	6.00	13.33	200.00	320.00
RPS-2065	1.350	.936	6.50	12.30	200.00	320.00
RPS-2070	1.350	.936	7.00	11.43	200.00	320.00
RPS-2075	1.350	.936	7.50	10.67	200.00	320.00



RETURN-RITE™ SPRINGS

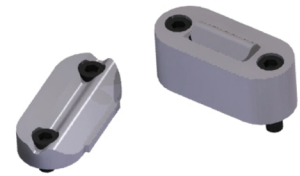
1. Find **mold base catalog no.** in the chart below —————> (example 15 7/8" x 20" or '1620')
2. Calculate **spring free length** by dividing stroke —————> (example 1.5" Stroke ÷ 25% = 6.0" spring required)
by deflection percentage
3. Select spring part number —————> (example RPS-2060)

Note: always include .100" preload to spring pocket depth calculation

**DO NOT CUT
THESE SPRINGS**

RETURN-RITE - SPRINGS

MOLD BASE CATALOG NO.	Spring Free Length (inches)									
	3.0	3.5	4.0	4.5	5.0	5.5	6.0	6.5	7.0	7.5
0808	RPS-1030	RPS-1035	RPS-1040	RPS-1045	RPS-1050	RPS-1055	RPS-1060	RPS-1065	RPS-1070	N/A
0812	RPS-1030	RPS-1035	RPS-1040	RPS-1045	RPS-1050	RPS-1055	RPS-1060	RPS-1065	RPS-1070	N/A
1008	RPS-1030	RPS-1035	RPS-1040	RPS-1045	RPS-1050	RPS-1055	RPS-1060	RPS-1065	RPS-1070	N/A
1012	RPS-1030	RPS-1035	RPS-1040	RPS-1045	RPS-1050	RPS-1055	RPS-1060	RPS-1065	RPS-1070	N/A
1016	RPS-1030	RPS-1035	RPS-1040	RPS-1045	RPS-1050	RPS-1055	RPS-1060	RPS-1065	RPS-1070	N/A
1020	RPS-1030	RPS-1035	RPS-1040	RPS-1045	RPS-1050	RPS-1055	RPS-1060	RPS-1065	RPS-1070	N/A
1112	RPS-1030	RPS-1035	RPS-1040	RPS-1045	RPS-1050	RPS-1055	RPS-1060	RPS-1065	RPS-1070	N/A
1114	RPS-1030	RPS-1035	RPS-1040	RPS-1045	RPS-1050	RPS-1055	RPS-1060	RPS-1065	RPS-1070	N/A
1118	RPS-1030	RPS-1035	RPS-1040	RPS-1045	RPS-1050	RPS-1055	RPS-1060	RPS-1065	RPS-1070	N/A
1123	RPS-1030	RPS-1035	RPS-1040	RPS-1045	RPS-1050	RPS-1055	RPS-1060	RPS-1065	RPS-1070	N/A
1212	RPS-1030	RPS-1035	RPS-1040	RPS-1045	RPS-1050	RPS-1055	RPS-1060	RPS-1065	RPS-1070	N/A
1215	RPS-1030	RPS-1035	RPS-1040	RPS-1045	RPS-1050	RPS-1055	RPS-1060	RPS-1065	RPS-1070	N/A
1220	RPS-1030	RPS-1035	RPS-1040	RPS-1045	RPS-1050	RPS-1055	RPS-1060	RPS-1065	RPS-1070	N/A
1223	RPS-1030	RPS-1035	RPS-1040	RPS-1045	RPS-1050	RPS-1055	RPS-1060	RPS-1065	RPS-1070	N/A
1315	RPS-1030	RPS-1035	RPS-1040	RPS-1045	RPS-1050	RPS-1055	RPS-1060	RPS-1065	RPS-1070	N/A
1318	RPS-1030	RPS-1035	RPS-1040	RPS-1045	RPS-1050	RPS-1055	RPS-1060	RPS-1065	RPS-1070	N/A
1321	N/A	RPS-2035	RPS-2040	RPS-2045	RPS-2050	RPS-2055	RPS-2060	RPS-2065	RPS-2070	RPS-2075
1323	N/A	RPS-2035	RPS-2040	RPS-2045	RPS-2050	RPS-2055	RPS-2060	RPS-2065	RPS-2070	RPS-2075
1326	N/A	RPS-2035	RPS-2040	RPS-2045	RPS-2050	RPS-2055	RPS-2060	RPS-2065	RPS-2070	RPS-2075
1329	N/A	RPS-2035	RPS-2040	RPS-2045	RPS-2050	RPS-2055	RPS-2060	RPS-2065	RPS-2070	RPS-2075
1518	RPS-1030	RPS-1035	RPS-1040	RPS-1045	RPS-1050	RPS-1055	RPS-1060	RPS-1065	RPS-1070	N/A
1524	N/A	RPS-2035	RPS-2040	RPS-2045	RPS-2050	RPS-2055	RPS-2060	RPS-2065	RPS-2070	RPS-2075
1529	N/A	RPS-2035	RPS-2040	RPS-2045	RPS-2050	RPS-2055	RPS-2060	RPS-2065	RPS-2070	RPS-2075
1616	N/A	RPS-2035	RPS-2040	RPS-2045	RPS-2050	RPS-2055	RPS-2060	RPS-2065	RPS-2070	RPS-2075
1620	N/A	RPS-2035	RPS-2040	RPS-2045	RPS-2050	RPS-2055	RPS-2060	RPS-2065	RPS-2070	RPS-2075
1623	N/A	RPS-2035	RPS-2040	RPS-2045	RPS-2050	RPS-2055	RPS-2060	RPS-2065	RPS-2070	RPS-2075
1626	N/A	RPS-2035	RPS-2040	RPS-2045	RPS-2050	RPS-2055	RPS-2060	RPS-2065	RPS-2070	RPS-2075
1629	N/A	RPS-2035	RPS-2040	RPS-2045	RPS-2050	RPS-2055	RPS-2060	RPS-2065	RPS-2070	RPS-2075
1635	N/A	RPS-2035	RPS-2040	RPS-2045	RPS-2050	RPS-2055	RPS-2060	RPS-2065	RPS-2070	RPS-2075
1724	N/A	RPS-2035	RPS-2040	RPS-2045	RPS-2050	RPS-2055	RPS-2060	RPS-2065	RPS-2070	RPS-2075
1729	N/A	RPS-2035	RPS-2040	RPS-2045	RPS-2050	RPS-2055	RPS-2060	RPS-2065	RPS-2070	RPS-2075
1818	N/A	RPS-2035	RPS-2040	RPS-2045	RPS-2050	RPS-2055	RPS-2060	RPS-2065	RPS-2070	RPS-2075
1820	N/A	RPS-2035	RPS-2040	RPS-2045	RPS-2050	RPS-2055	RPS-2060	RPS-2065	RPS-2070	RPS-2075
1823	N/A	RPS-2035	RPS-2040	RPS-2045	RPS-2050	RPS-2055	RPS-2060	RPS-2065	RPS-2070	RPS-2075
1826	N/A	RPS-2035	RPS-2040	RPS-2045	RPS-2050	RPS-2055	RPS-2060	RPS-2065	RPS-2070	RPS-2075
1829	N/A	RPS-2035	RPS-2040	RPS-2045	RPS-2050	RPS-2055	RPS-2060	RPS-2065	RPS-2070	RPS-2075
1835	N/A	RPS-2035	RPS-2040	RPS-2045	RPS-2050	RPS-2055	RPS-2060	RPS-2065	RPS-2070	RPS-2075
1924	N/A	RPS-2035	RPS-2040	RPS-2045	RPS-2050	RPS-2055	RPS-2060	RPS-2065	RPS-2070	RPS-2075
1929	N/A	RPS-2035	RPS-2040	RPS-2045	RPS-2050	RPS-2055	RPS-2060	RPS-2065	RPS-2070	RPS-2075
1935	N/A	RPS-2035	RPS-2040	RPS-2045	RPS-2050	RPS-2055	RPS-2060	RPS-2065	RPS-2070	RPS-2075
2424	N/A	RPS-2035	RPS-2040	RPS-2045	RPS-2050	RPS-2055	RPS-2060	RPS-2065	RPS-2070	RPS-2075
2429	N/A	RPS-2035	RPS-2040	RPS-2045	RPS-2050	RPS-2055	RPS-2060	RPS-2065	RPS-2070	RPS-2075
2435	N/A	RPS-2035	RPS-2040	RPS-2045	RPS-2050	RPS-2055	RPS-2060	RPS-2065	RPS-2070	RPS-2075



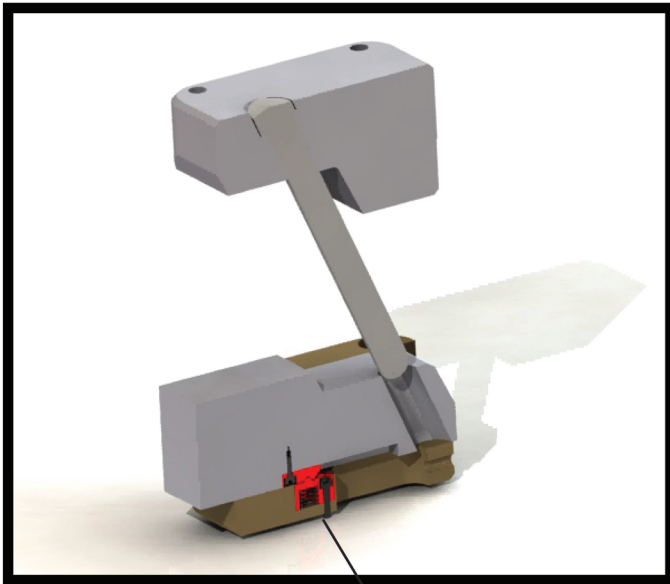
SLIDE LOCK™

The Original Slide Lock™ - still holding strong!

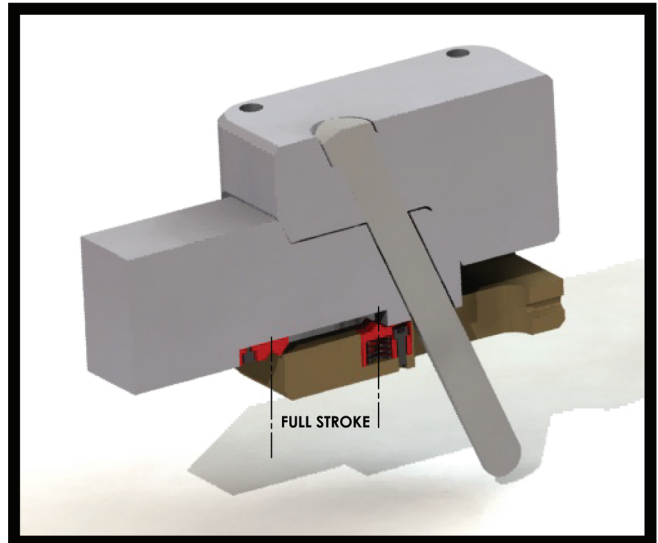
Slide Locks are used to hold open the slide during the part ejection process of the molding cycle.

The simplicity of the Slide Lock design allows dependable, repetitive mold base slide motion while neatly seated in a concealed retaining pocket that prevents debris jamming. The flat surface contact provides greater positive locking action and more dependable operation than ball contact or bulky pin style types. The ultra-compact design allows use in very limited installation space.

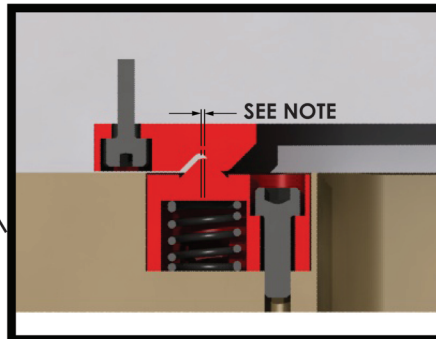
Slide Locks are available in three compact sizes that are based on the maximum weight of the slide. The ratings are: SLK-8A - 8 lbs., SLK-25A - 25 lbs., and SLK-50A - 50 lbs. weight capacities. Multiple Slide Locks can be easily used in the same slide for higher load retention



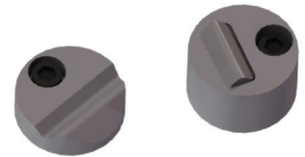
Slide Lock - Open Position



Slide Lock - Closed Position



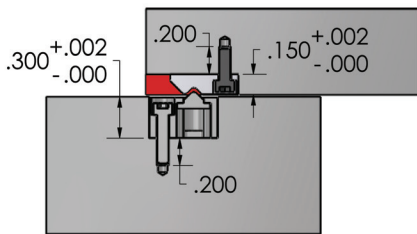
NOTE: set angle pin to release distance (see below) from full stroke. Slide Lock will snap to full stroke to assure re-entry clearance.
 - SLK-8A: .020 to .030"
 - SLK-25A & SLK-50A: .075 to .100"



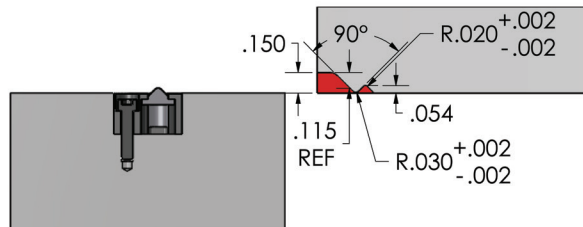
SLIDE LOCK

SLK-8A

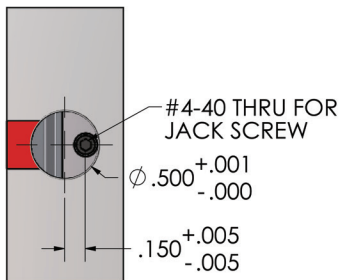
ASSEMBLY WITH INSTALLED LATCH



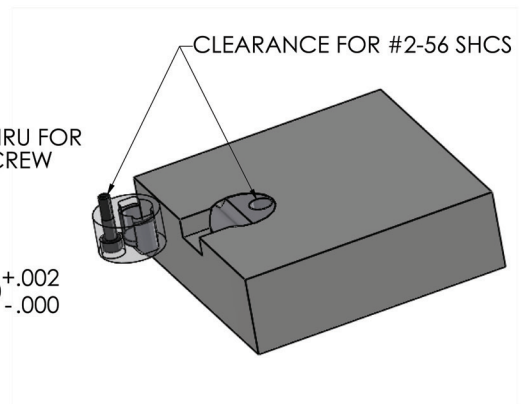
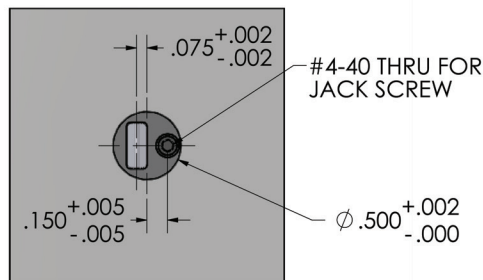
ASSEMBLY WITH MACHINED LATCH



LATCH



HOLDER



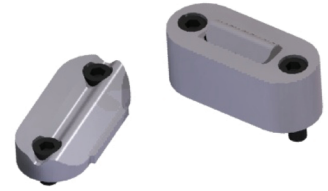
FOR SLIDE LOCK ASSEMBLIES PLEASE SPECIFY:

1. Part Number SLK-8A
2. Quantity

FOR SPRING ONLY ORDERS:

1. Part Number SLK-8S
2. Quantity

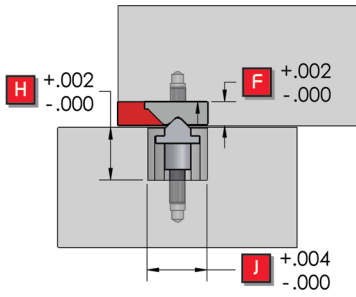




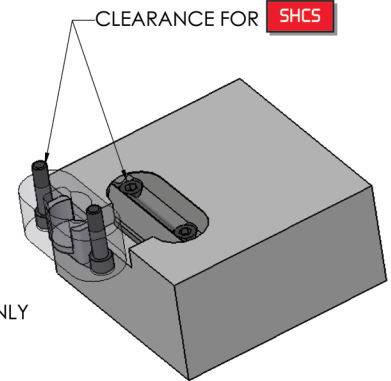
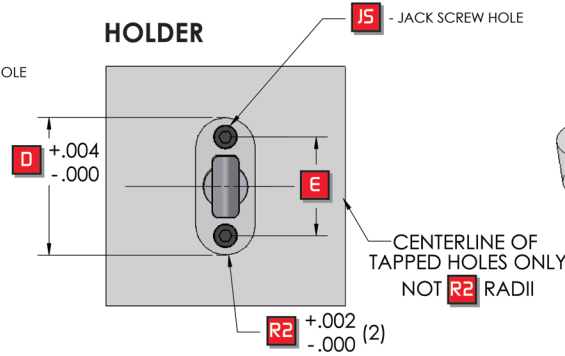
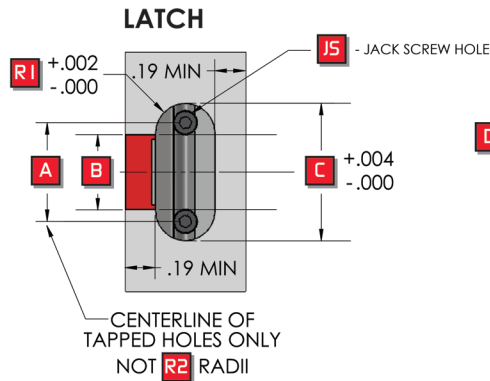
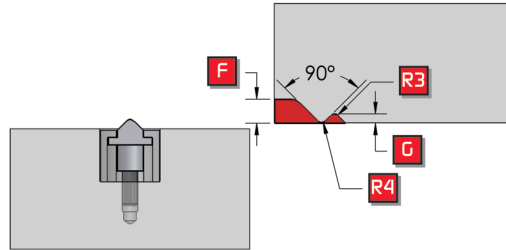
SLIDE LOCK

SLK-25A & 50A

ASSEMBLY WITH INSTALLED LATCH



ASSEMBLY WITH MACHINED LATCH



LATCH

	A	B	C	F	G	R1	R3	R4	JS	SHCS
SLK-25A	1.100	.875	1.500	.250	.100	.312	.047	.063	#10-32	#6-32
SLK-50A	1.650	1.250	2.300	.400	.155	.500	.079	.098	5/16-18	1/4-20

HOLDER

	D	E	H	J	R2	JS	SHCS
SLK-25A	1.500	1.100	.500	.625	.312	#10-32	#6-32
SLK-50A	2.300	1.650	.875	1.000	.500	5/16-18	1/4-20

The SLK-25A incorporates a double spring concept that not only gives maximum retention power but also extends spring life.

FOR SLIDE LOCK ASSEMBLIES PLEASE SPECIFY:

1. Part Number SLK-25A or SLK-50A
2. Quantity

FOR SPRING ONLY ORDERS:

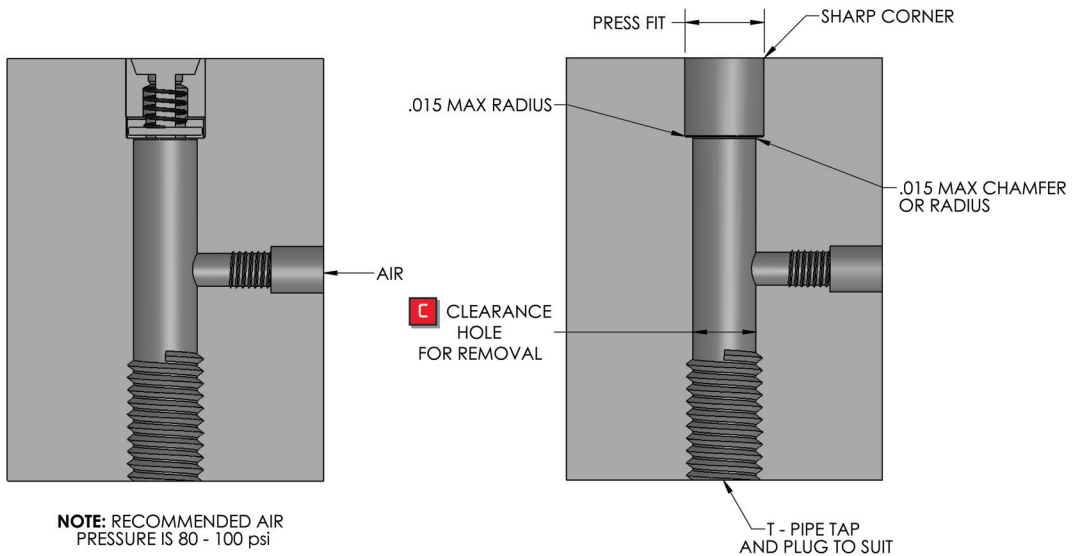
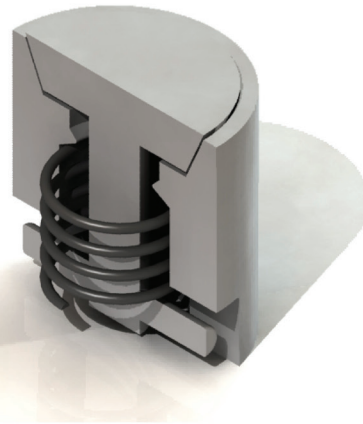
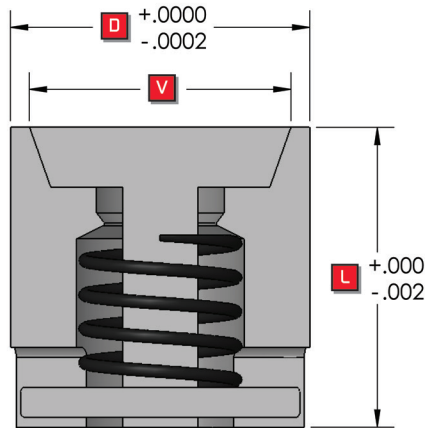
1. Part Number SLK-25S and SLK-25SS (2 springs required)
2. Part Number SLK-50S
3. Quantity





AIR POPPET

Air poppets from Superior are designed to assist in part ejection by releasing the vacuum created during injection molding. Made from 420 Stainless Steel, Superior air poppets can be further surface ground and polished to prevent flash and part marking.



NOTE: RECOMMENDED AIR PRESSURE IS 80 - 100 psi

OPERATING DATA

MACHINING DATA

AIR POPPETS				
Part No.	D	V	L	C
APV-375	.3754	.325	.377	9/32
APV-500	.5005	.437	.502	3/8
APV-750	.7505	.656	.752	37/64
APV-100	1.0005	.875	1.002	3/4

WHEN ORDERING PLEASE SPECIFY:

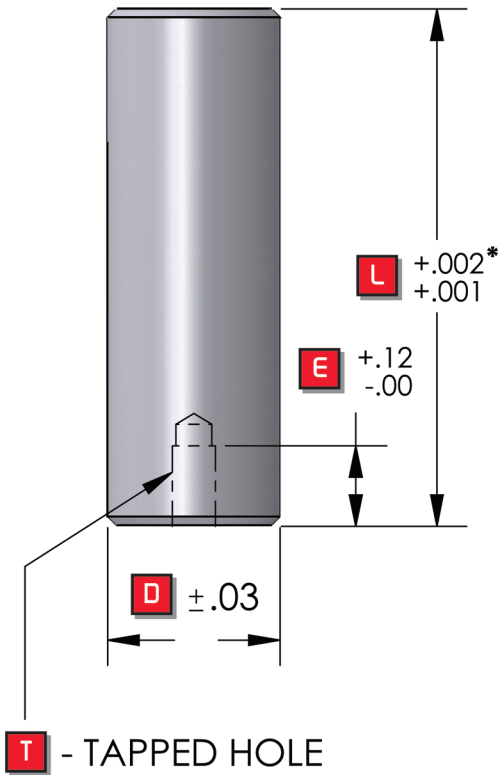
1. Part Number
2. Quantity

Hardened to 40-44 Rc



SUPPORT PILLARS

TAPPED



* Or custom ground option to specified preload

WHEN ORDERING PLEASE SPECIFY:

1. Part Number
2. Quantity

SUPPORT PILLARS				
D	L	Drilled & Tapped		
		Part No.	T	E
1"	2.500	P10T24	3/8 - 16	.70
	3.000	P10T30	3/8 - 16	.70
	3.500	P10T34	3/8 - 16	.70
	4.000	P10T40	3/8 - 16	.70
	4.500	P10T44	3/8 - 16	.70
1 1/4"	2.500	P11T24	3/8 - 16	.70
	3.000	P11T30	3/8 - 16	.70
	3.500	P11T34	3/8 - 16	.70
	4.000	P11T40	3/8 - 16	.70
	4.500	P11T44	3/8 - 16	.70
	5.000	P11T50	3/8 - 16	.70
1 1/2"	2.500	P12T24	3/8 - 16	.70
	3.000	P12T30	3/8 - 16	.70
	3.500	P12T34	3/8 - 16	.70
	4.000	P12T40	3/8 - 16	.70
	4.500	P12T44	3/8 - 16	.70
	5.000	P12T50	3/8 - 16	.70
1 3/4"	2.500	P13T24	3/8 - 16	.70
	3.000	P13T30	3/8 - 16	.70
	3.500	P13T34	3/8 - 16	.70
	4.000	P13T40	3/8 - 16	.70
	4.500	P13T44	3/8 - 16	.70
	5.000	P13T50	3/8 - 16	.70
2"	2.500	P20T24	3/8 - 16	.70
	3.000	P20T30	3/8 - 16	.70
	3.500	P20T34	3/8 - 16	.70
	4.000	P20T40	3/8 - 16	.70
	4.500	P20T44	3/8 - 16	.70
	5.000	P20T50	3/8 - 16	.70
2 1/2"	3.000	P24T30	3/8 - 16	.70
	3.500	P24T34	3/8 - 16	.70
	4.000	P24T40	3/8 - 16	.70
	4.500	P24T44	3/8 - 16	.70
	5.000	P24T50	3/8 - 16	.70
	6.000	P24T60	3/8 - 16	.70
3"	4.000	P30T40	5/8 - 11	1.25
	4.500	P30T44	5/8 - 11	1.25
	5.000	P30T50	5/8 - 11	1.25
	6.000	P30T60	5/8 - 11	1.25
	8.000	P30T80	5/8 - 11	1.25

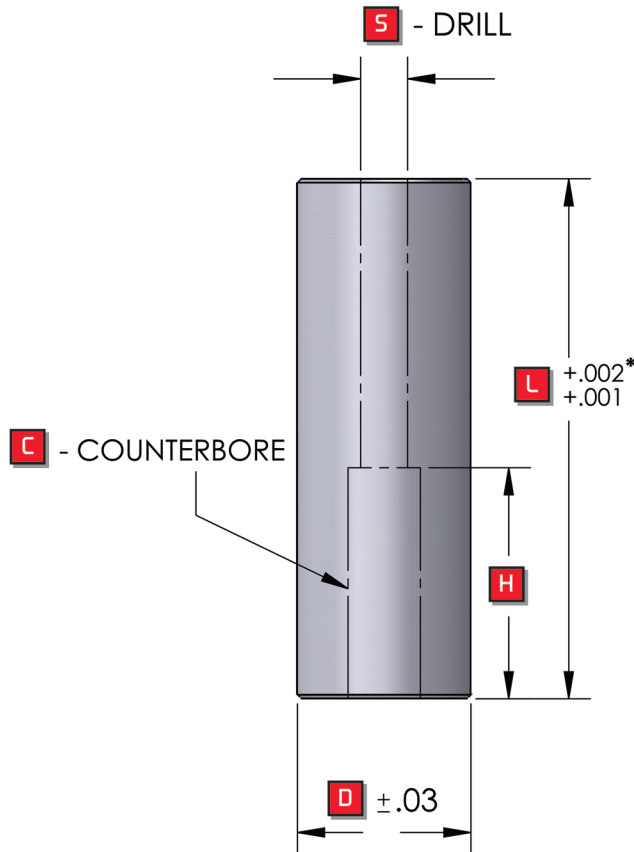
ALL TAPPED STYLE SUPPORT PILLARS SUPPLIED WITH:

- < 3" Dia - 3/8-16 x 1" SHCS
- = 3" Dia - 5/8-11 x 1 1/4" SHCS



SUPPORT PILLARS

DRILLED & C'BORED



* Or custom ground option to specified preload

WHEN ORDERING PLEASE SPECIFY:

1. Part Number
2. Quantity

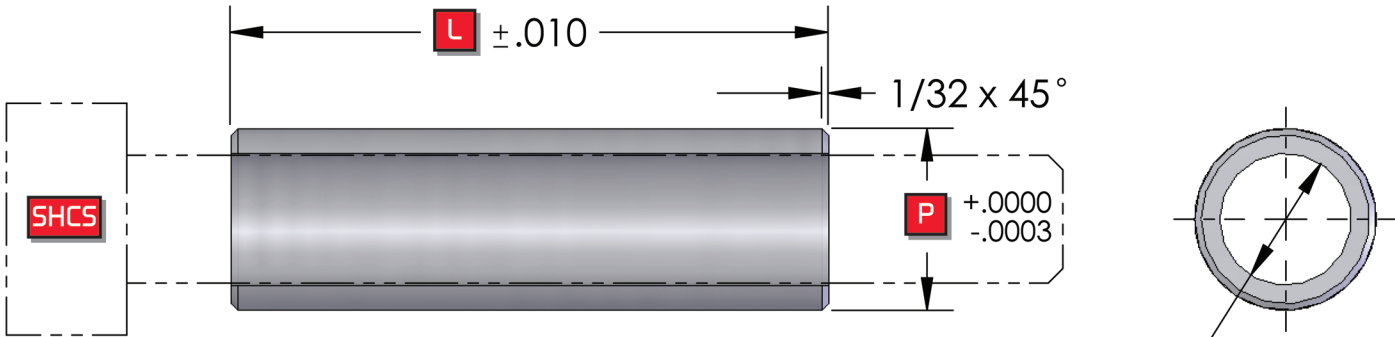
SUPPORT PILLARS					
D	L	Drilled & C'Bored			
		Part No.	C	H	S
1"	2.500	P10C24	.625	.50	.406
	3.000	P10C30	.625	1.00	.406
	3.500	P10C34	.625	1.50	.406
	4.000	P10C40	.625	2.00	.406
	4.500	P10C44	.625	2.50	.406
1 1/4"	2.500	P11C24	.625	.50	.406
	3.000	P11C30	.625	1.00	.406
	3.500	P11C34	.625	1.50	.406
	4.000	P11C40	.625	2.00	.406
	4.500	P11C44	.625	2.50	.406
	5.000	P11C50	.625	3.00	.406
1 1/2"	2.500	P12C24	.625	.50	.406
	3.000	P12C30	.625	1.00	.406
	3.500	P12C34	.625	1.50	.406
	4.000	P12C40	.625	2.00	.406
	4.500	P12C44	.625	2.50	.406
	5.000	P12C50	.625	3.00	.406
	6.000	P12C60	.625	4.00	.406
1 3/4"	2.500	P13C24	.625	.50	.406
	3.000	P13C30	.625	1.00	.406
	3.500	P13C34	.625	1.50	.406
	4.000	P13C40	.625	2.00	.406
	4.500	P13C44	.625	2.50	.406
	5.000	P13C50	.625	3.00	.406
2"	2.500	P20C24	.625	.50	.406
	3.000	P20C30	.625	1.00	.406
	3.500	P20C34	.625	1.50	.406
	4.000	P20C40	.625	2.00	.406
	4.500	P20C44	.625	2.50	.406
	5.000	P20C50	.625	3.00	.406
	6.000	P20C60	.625	4.00	.406
2 1/2"	3.000	P24C30	.625	1.00	.406
	3.500	P24C34	.625	1.50	.406
	4.000	P24C40	.625	2.00	.406
	4.500	P24C44	.625	2.50	.406
	5.000	P24C50	.625	3.00	.406
	6.000	P24C60	.625	4.00	.406
3"	4.000	P30C40	1.000	2.00	.656
	4.500	P30C44	1.000	2.50	.656
	5.000	P30C50	1.000	3.00	.656
	6.000	P30C60	1.000	4.00	.656
	8.000	P30C80	1.000	6.00	.656

ALL C'BORED STYLE SUPPORT PILLARS SUPPLIED WITH:

< 3" Dia - 3/8-16 x 2 1/2" SHCS
= 3" Dia - 5/8-11 x 2 1/2" SHCS



TUBE DOWELS, STOP PINS & STOP DISCS



TUBE DOWELS

Part No.	P	D	L	SHCS
TB-7504	.7500	.510	.500	1/2-13
TB-7517	.7500	.510	1.875	1/2-13
TB-7523	.7500	.510	2.375	1/2-13
TB-7527	.7500	.510	2.875	1/2-13
TB-8704	.8750	.635	.500	5/8-11
TB-8723	.8750	.635	2.375	5/8-11
TB-8727	.8750	.635	2.875	5/8-11

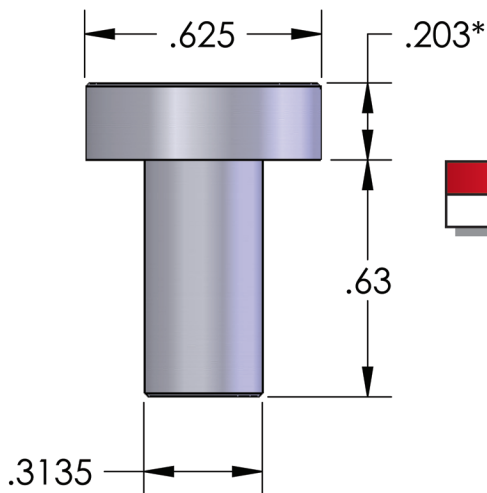
D +.010
-.000

Hardened to 57 +/- 2 Rc

WHEN ORDERING PLEASE SPECIFY:

1. Part Number
2. Quantity

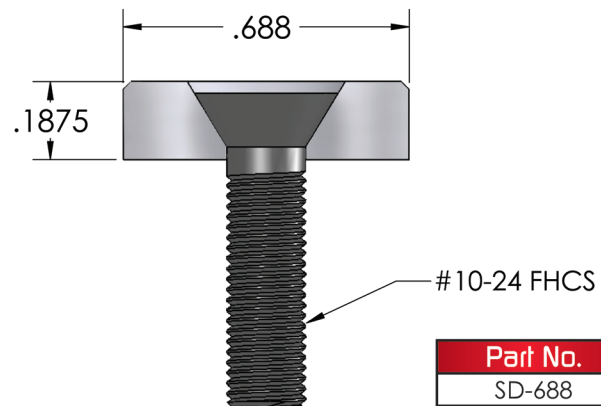
STOP PIN



Part No.
SB-625

Hardened to 30 Rc

STOP DISC

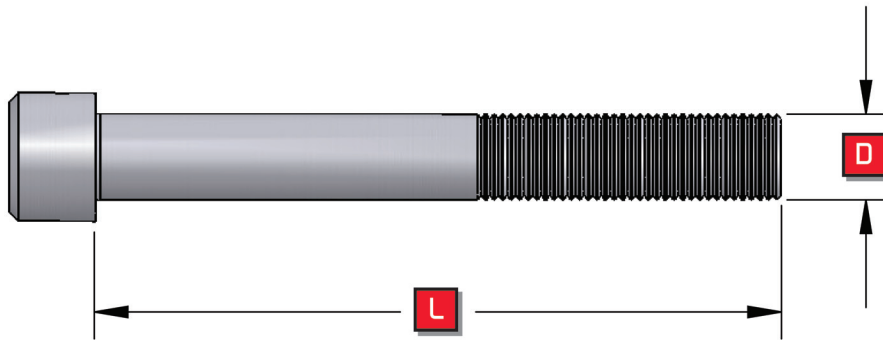


Part No.
SD-688

*.015" STOCK ADDED FOR FINISHING TO .1875"



SOCKET HEAD CAP SCREWS



WHEN ORDERING PLEASE SPECIFY:
 1. Part Number
 2. Quantity

SOCKET HEAD CAP SCREWS			
L	D = 1/2-13	D = 5/8-11	D = 3/4-10
	Part No.	Part No.	Part No.
4	S0500C040	S0625C040	S0750C040
4 1/4	S0500C042	S0625C042	S0750C042
4 1/2	S0500C044	S0625C044	S0750C044
4 3/4	S0500C046	S0625C046	S0750C046
5	S0500C050	S0625C050	S0750C050
5 1/4	S0500C052	S0625C052	
5 1/2	S0500C054	S0625C054	S0750C054
5 3/4	S0500C056	S0625C056	
6	S0500C060	S0625C060	S0750C060
6 1/4	S0500C062	S0625C062	
6 1/2	S0500C064	S0625C064	S0750C064
6 3/4	S0500C066	S0625C066	
7	S0500C070	S0625C070	S0750C070
7 1/4	S0500C072	S0625C072	
7 1/2	S0500C074	S0625C074	S0750C074
7 3/4	S0500C076	S0625C076	
8	S0500C080	S0625C080	S0750C080
8 1/4	S0500C082	S0625C082	
8 1/2	S0500C084	S0625C084	
8 3/4	S0500C086	S0625C086	
9	S0500C090	S0625C090	S0750C090
9 1/4	S0500C092	S0625C092	
9 1/2	S0500C094	S0625C094	
9 3/4	S0500C096	S0625C096	
10	S0500C100	S0625C100	S0750C100



900 West Drexel Avenue
Oak Creek, WI 53154

(800) 558-6040
FAX (800) 657-0855

www.superiordieset.com
messages@superiordieset.com

copyright © 2012 Superior Die Set Corp.
Form-DEV1.7-MBC-0712